



## Technical Data Sheet

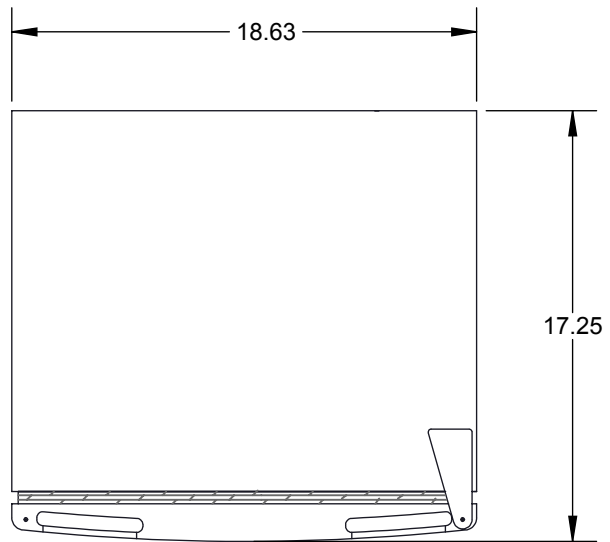
### Thermo Scientific 1.8 Cuft General Purpose Refrigerator

Revision-1

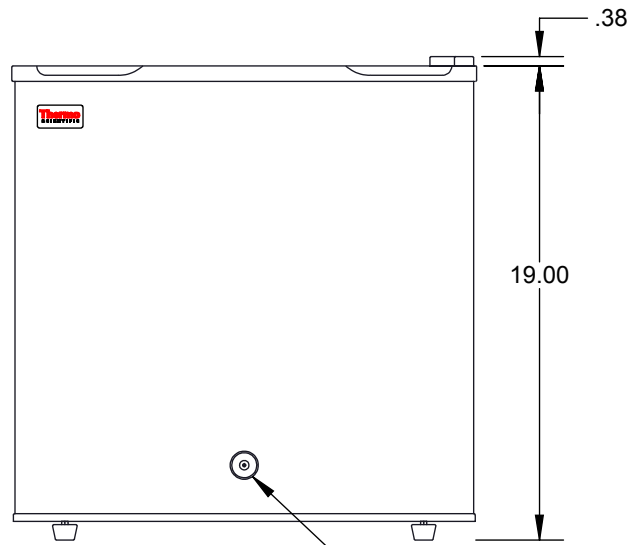
Thermo Fisher Scientific, Asheville, North Carolina

Specifications	Catalog Number	
	02LREETSA	
Specifications	Production Model Number	
	02LREETSA	
Specifications	Application, Rating And Electrical Data	
Application	1.8 Cuft General Purpose Refrigerator	
Storage Volume	1.8 Cuft / 51 Liters	
Temperature Rating	1°C to 8°C	
Electrical Power	115 V / 60 Hz	
Instrument Rated Current	1.2A	
Building Supply Rating	Breaker 15 Amps/115v± 10%Volt While Operating	
Power Plug/Power Cord Length	Three prong NEMA 5-15P, 1.828 Meters (6 Feet)	
Agency Listings	cULus	
Indoor/Outdoor Usage	Indoor Use Only	
Application Environment	Non-Corrosive, Non-Flammable, Non-Explosive, Good Air Ventilation	
Ambient Operating Temperature	15° C - 32° C (60° F - 90° F)	
Specifications	Refrigeration Configuration	
Refrigeration System	Vapour Compression System	
Compressor / Number	Hermetic Compressor/1	
Condenser Type/Number	Foamed In Condenser	
Expansion Device	Capillary Tube	
Evaporator Type	Foamed In Evaporator	
Defrost Method	Manual Defrost	
Refrigerant Charge/Flammability	R134A	
Specifications	Controller/Electrical System Configuration And Features	
Controller Level	Knee Level	
Power Switch	Not Present	
Controller Type	Mechanical Thermostat	
Setpoint Security / Programmable	No/ Yes	
Control Sensor	Capillary tube	
Remote Alarm Terminals	Not Present	
Power Failure Alarm	Not Present	
Data Logger / Chart Recorder	Not Present	
Specifications	Dimensions And Construction	
Interior Dimensions (H x W x D)	15.5" x 16" x 14" (39.4 x 40.6 x 35.6 cm)	
Exterior Dimensions (H x W x D)	19.0" x 18.63" x 17.25" (48.3 x 47.3 x 43.8 cm)	
Insulation	Polyurethane Foam	
Door Perimeter heater	Not Present	
Shelves / Capacity	(1) Removable Wire Shelf, Storage On Bottom Of Unit	
All-Direction Casters	No Leveling Feet	
Ship Weight	55 lbs / 24.9 kg	
Access Port / Dia	Not Present	
Specifications	Typical Performance Characteristics	
		Test Unit Series Number or MSO Number: 19393-BA-T1
		Cabinet Load: Unloaded Average Cabinet Temp at 4C Cycle (C): 4.4 Peak Variation from Setpoint (C): +2.6/-3.4 Uniformity (C): 3.3 Stability (C): 2.3 1-min Door Opening Recovery to 4C (min): 2 Duty Cycle at 4C (%): 26 Cycle (on/off) rate at 4C (min): 3 / 9 Energy Consumption (kw-hr/day): 1.3 Heat Rejection Rate (btu/hr): 187 Pull Down Time (to 4C) (min): 20 Warm Up Time (4C to 15C) (min): 68
1) Performance is nominal and individual units may vary. 2) Freezer performance will differ due to product amount, product size and operating conditions. 3) Continuous product enhancements may, without notice, result in amendments or omissions to this specification. Thermo Scientific cannot accept responsibility for damage, injury, loss or expenses resulting from misapplication of the information herein.		

© 2015 Thermo Scientific. All trademarks are the property of Thermo Scientific and its subsidiaries. Specifications, terms and pricing are subject to change. Not all products are available in all countries. Please consult your local sales representative for details.



TOP VIEW



FRONT VIEW

DOOR LOCK

DO NOT USE FOR ENGINEERING PURPOSES.  
SUBJECT TO CHANGE WITHOUT NOTICE

**Thermo**  
SCIENTIFIC

1.8 Cu.Ft. GENERAL PURPOSE REFRIGERATOR