



SUPERLIFT

SANITARY LIFTS

PRODUCT DESCRIPTION

Product: Stainless Steel Spring Actuated Level Loader

Price Start: \$6,990.00

Shipping Weight: 390 lbs.

Target: (Food, Pharma, Aero)

Manufactured by: Superlift

Category: Material Handling

Subtype: (Sanitation Lift)

Description:

- Pallet positioners are designed to automatically raise and lower during the loading or unloading process. By keeping the weight at a convenient and constant operating height, the operator does not have to reach or strain. With their simple use, you will be able to increase productivity and reduce costs in your warehouse. This also minimizes situations like back injuries and increases safety hazards.

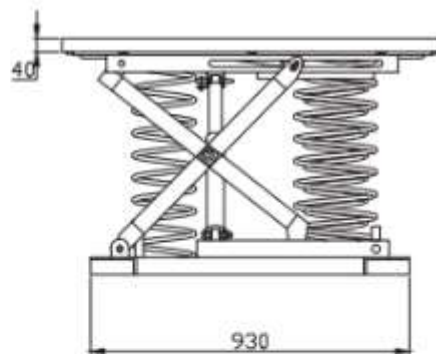
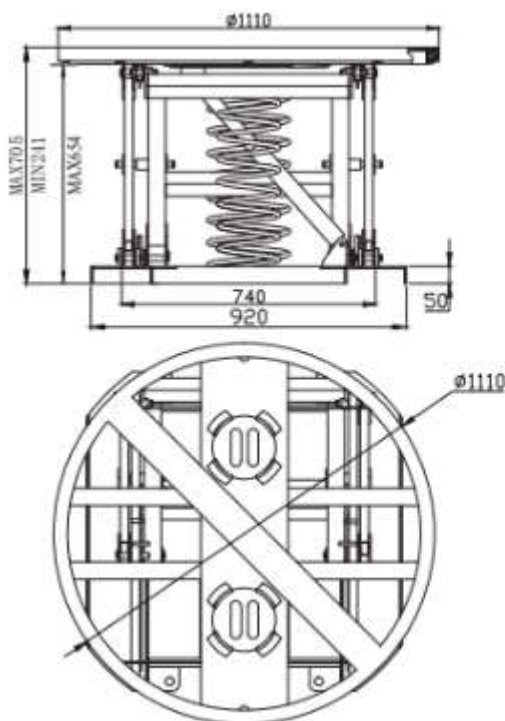
Features:

- Automatically keeps pallet or stillage loads at an optimum working height when loading or unloading goods
- Dramatically reduces the effort required to palletize goods
- Built-in turntable allows simple load rotation and access to all sides
- Fork pockets
- Open platform standard
- Sanitary designs available

Specification:

Model	Capacity:	Platform Diameter:	Min Platform Height	Max Platform Height	Base size	MSRP
SL SPSS-40	4000 lbs.	43.6"	9.6"	27 3/4"	36x36 3/4"	\$6,990.00

Pictures:



CONTACT MANUFACTURER FOR CUSTOM PRICING