



LABCONCO CORPORATION

8811 Prospect Avenue
Kansas City, MO 64132
(800) 821-5525, (816) 333-8811
(816) 363-0130 fax
labconco@labconco.com

User's Manual

Protector[®] XL[™] Laboratory Fume Hoods

Models

1110 Series
1111 Series
1112 Series
1113 Series
1114 Series
1115 Series
1116 Series
1117 Series
1118 Series

To receive important product updates,
complete your product registration card
online at register.labconco.com

Please read the User's Manual before operating the equipment.

Copyright © 2019 Labconco Corporation. The information contained in this manual and the accompanying products are copyrighted and all rights reserved by Labconco Corporation. Labconco Corporation reserves the right to make periodic design changes without obligation to notify any person or entity of such change.

Warranty

Labconco Corporation provides a warranty to the original buyer for the repair or replacement of parts and reasonable labor as a result of normal and proper use of the equipment with compatible chemicals. Broken glassware and maintenance items, such as filters, gaskets, light bulbs, finishes and lubrication are not warranted. Excluded from warranty are products with improper installation, erratic electrical or utility supply, unauthorized repair and products used with incompatible chemicals.

The warranty for Protector® XL™ Laboratory Fume Hoods will expire one year from date of installation or two years from date of shipment from Labconco, whichever is sooner. Warranty is non-transferable and only applies to the owner (organization) of record.

Buyer is exclusively responsible for the set-up, installation, verification, decontamination or calibration of equipment. This limited warranty covers parts and labor, but not transportation and insurance charges. If the failure is determined to be covered under this warranty, the dealer or Labconco Corporation will authorize repair or replacement of all defective parts to restore the unit to operation. Repairs may be completed by 3rd party service agents approved by Labconco Corporation. Labconco Corporation reserves the rights to limit this warranty based on a service agent's travel, working hours, the site's entry restrictions and unobstructed access to serviceable components of the product.

Under no circumstances shall Labconco Corporation be liable for indirect, consequential, or special damages of any kind. This warranty is exclusive and in lieu of all other warranties whether oral, or implied.

Returned or Damaged Goods

Do not return goods without the prior authorization from Labconco. Unauthorized returns will not be accepted. If your shipment was damaged in transit, you must file a claim directly with the freight carrier. Labconco Corporation and its dealers are not responsible for shipping damages.

The United States Interstate Commerce Commission rules require that claims be filed with the delivery carrier within fifteen (15) days of delivery.

Limitation of Liability

The disposal and/or emission of substances used in connection with this equipment may be governed by various federal, state, or local regulations. All users of this equipment are required to become familiar with any regulations that apply in the user's area concerning the dumping of waste materials in or upon water, land, or air and to comply with such regulations. Labconco Corporation is held harmless with respect to user's compliance with such regulations.

Contacting Labconco Corporation

If you have questions that are not addressed in this manual, or if you need technical assistance, contact Labconco's Customer Service Department or Labconco's Product Service Department at 1-800-821-5525 or 1-816-333-8811, between the hours of 7:30 a.m. and 5:30 p.m., Central Standard Time.

TABLE OF CONTENTS

CHAPTER 1: INTRODUCTION	1
About This Manual	2
Typographical Conventions	3
(Conventions Typographiques)	
Your Next Step	4
CHAPTER 2: PREREQUISITES	5
Location Requirements	6
Support Requirements	6
Exhaust Requirements	6
(Exigences électriques)	
Electrical Requirements	8
Service Line Requirements	8
Space Requirements	8
CHAPTER 3: GETTING STARTED	9
Unpacking Your Fume Hood	10
Removing the Shipping Skid	10
Sash Weight Release	11
Installing the Hood on a Supporting Structure & Work Surface	11
Connecting to the Hood Exhaust System	13
Connecting the Electrical Supply Source	13
Connecting the Service Lines to the Protector Hood	16
Sealing the Protector Hood to the Work Surface	17
Certifying the Protector Fume Hood	17
CHAPTER 4: PERFORMANCE FEATURES AND SAFETY	
PRECAUTIONS	18
Performance Features	18
Safety Precautions	21
(Consignes de sécurité)	

CHAPTER 5: USING YOUR PROTECTOR XL	25
Operating the Vertical Rising Sash	25
Operating the A-Style Combination Sash	25
Operating the Blower	25
Operating the Lights	26
Working in your Protector Fume Hood	26
CHAPTER 6: MAINTAINING YOUR PROTECTOR XL	28
Service Safety Precautions	28
(Mesures de sécurité des services)	
Routine Maintenance Schedule	29
Routine Service Operations	30
CHAPTER 7: MODIFYING YOUR PROTECTOR XL	31
Installing Work Surfaces	31
Installing Ceiling Enclosures Above the Fume Hood	32
Installing Rear Panels Behind the Fume Hood	34
Installing Additional Service Fixtures	35
Installing Guardian Airflow Monitors	35
Distillation Grids – Field Installation	35
Sash Stop Kit – Field Installation	36
Upper Bypass – Field Installation	36
Installing an Electrical Duplex Outlet	36
(Installation d'une sortie Duplex électrique)	
CHAPTER 8: TROUBLESHOOTING	37
APPENDIX A: PROTECTOR XL COMPONENTS	40
APPENDIX B: PROTECTOR XL DIMENSIONS	43
APPENDIX C: PROTECTOR XL SPECIFICATIONS	44
(ANNEXE C: SPÉCIFICATIONS PROTECTEUR DU PREMIER MINISTRE)	
APPENDIX D: PROTECTOR I-S HOOD	47
APPENDIX E: SERIAL NUMBER TAG DESCRIPTION	55
(ANNEXE D: DESCRIPTION DE SÉRIE TAG NUMBER)	
APPENDIX F: REFERENCES	61
APPENDIX G: DISASSEMBLY AND REASSEMBLY INSTRUCTIONS	64

CHAPTER 1

INTRODUCTION

Congratulations on your purchase of a Labconco Protector® XL™ Laboratory Fume Hood. Your Protector Laboratory Fume Hood is designed to protect you. It is the result of Labconco's more than 60 years experience in manufacturing fume hoods, and users like you suggested many of its features to us.

The Labconco Protector XL Fume Hood has been engineered to provide maximum visibility in a laboratory, and effectively contain toxic, noxious, or other harmful materials when properly installed. The Protector XL offers many unique features to enhance safety, performance, and visibility. To take full advantage of them, please acquaint yourself with this manual and keep it handy for future reference. If you are unfamiliar with how fume hoods operate, please review *Chapter 4: Performance Features and Safety Precautions* before you begin working in the fume hood. Even if you are an experienced fume hood user, please review *Chapter 5: Using Your Protector XL*, which describes your Protector Hood's features so that you can use the hood efficiently.



Figure 1-1

About This Manual

This manual is designed to help you learn how to install, use, and maintain your laboratory fume hood. Instructions for installing optional equipment on your hood are also included.

Chapter 1: Introduction provides a brief overview of the laboratory fume hood, explains the organization of the manual, and defines the typographical conventions used in the manual.

Chapter 2: Prerequisites explains what you need to do to prepare your site before you install your laboratory fume hood. Electrical and service requirements are discussed.

Chapter 3: Getting Started contains the information you need to properly unpack, inspect, install, and certify your laboratory fume hood.

Chapter 4: Performance Features and Safety Precautions explains how the Protector operates and the appropriate precautions you should take when using the fume hood.

Chapter 5: Using Your Protector XL discusses the basic operation of your fume hood. Information on how to prepare, use and shut down your Protector Hood are included.

Chapter 6: Maintaining Your Protector XL explains how to perform routine maintenance on your fume hood.

Chapter 7: Modifying Your Protector XL explains how to modify the fume hood or add accessories.

Chapter 8: Troubleshooting contains a table of problems you may encounter while using your laboratory fume hood including the probable causes of the problems and suggested corrective actions.

Appendix A: Protector XL Components contains labeled diagrams of all of the components of the fume hoods.

Appendix B: Protector XL Dimensions contains comprehensive diagrams showing all of the dimensions for the laboratory fume hoods.

Appendix C: Protector XL Specifications contains the electrical requirements for laboratory fume hood. Wiring diagrams are also included.

Appendix D: Serial Number Tag Description provides current rating code used on serial number tag.

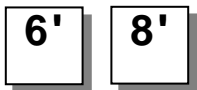
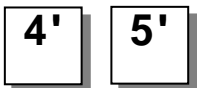
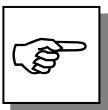
Appendix E: References lists the various resources available that deal with laboratory fume hoods.

Appendix F: Disassembly and Reassembly Instructions lists the required tools as well as step by step instructions for disassembling and reassembling the Protector XL Hood.

Typographical Conventions

Recognizing the following typographical conventions will help you understand and use this manual:

- Book, chapter, and section titles are shown in italic type (e.g., *Chapter 3: Getting Started*).
- Steps required to perform a task are presented in a numbered format.
- Comments located in the margins provide suggestions, reminders, and references.
- Critical information is presented in boldface type in paragraphs that are preceded by the exclamation icon. Failure to comply with the information following an exclamation icon may result in injury to the user or permanent damage to fume hood.
 - Les informations critiques sont présentées en gras dans les paragraphes qui sont précédés par l'icône d'exclamation. Ne pas se conformer aux informations qui suivent une icône d'exclamation peut résulter à la blessure de l'utilisateur ou à des dommages irréversibles de la hotte aspirante.
- Critical information is presented in boldface type in paragraphs that are preceded by the wrench icon. These operations should only be performed by a trained certifier or contractor. Failure to comply with the information following a wrench icon may result in injury to the user or permanent damage to your hood.
 - Les informations critiques sont présentées en gras dans les paragraphes qui sont précédés par l'icône de clé plate. Ces opérations devraient être seulement exécutées par un professionnel agréé. L'échec pour se conformer aux informations qui suivent une icône de clé plate peut résulter à la blessure de l'utilisateur ou à des dommages irréversibles de la hotte.
- Important information is presented in capitalized type in paragraphs that are preceded by the pointer icon. It is imperative that the information contained in these paragraphs be thoroughly read and understood by the user.
- A number icon precedes information that is specific to a particular model of laboratory fume hood. The 4' icon indicates the text is specific to the 4-foot wide model. The 5' icon indicates the text is specific to the 5-foot model, etc.



Chapter 1: Introduction



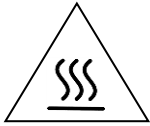
- The S icon indicates the text is specific to the standard model.



- The A icon indicates the text is specific to the A-Style Combination Sash Model.



- CAUTION – See Manual. When this symbol is on a fume hood it indicates a caution that is detailed in this manual.
- PRUDENCE – Consulter le Manuel. Quand ce symbole est sur une hotte aspirante, il indique une prudence qui est détaillée dans ce manuel.



- CAUTION – Hot Surface.
- AVERTIR – Surface Chaude



- CAUTION – See Manual. This symbol on the fume hood indicates the possibility of a pinch hazard.
- PRUDENCE – Consulter le Manuel. Ce symbole sur la hotte indique la possibilité d'un risque de pincement.

Your Next Step

If your Fume Hood needs to be installed, proceed to *Chapter 2: Prerequisites* to ensure your installation site meets all of the requirements. Then, go to *Chapter 3: Getting Started* for instructions on how to install your laboratory fume hood and make all of the necessary connections.

If you would like to review how laboratory fume hoods operate, go to *Chapter 4: Performance Features and Safety Precautions*.

For information on the operational characteristics of your laboratory fume hood, go to *Chapter 5: Using Your Protector XL*.

If your laboratory fume hood is installed and you need to perform routine maintenance on the cabinet, proceed to *Chapter 6: Maintaining Your Protector XL*.

For information on making modifications to the configuration of your fume hood, go to *Chapter 7: Modifying Your Protector XL*.

Refer to *Chapter 8: Troubleshooting* if you are experiencing problems with your fume hood.

CHAPTER 2

PREREQUISITES

Before you install your laboratory fume hood, you need to prepare your site for installation. Carefully examine the location where you intend to install your hood. You must be certain that the area is level and of solid construction. In addition, a dedicated source of electrical power must be located near the installation site.

Carefully read this chapter to learn the requirements for your installation site:

- The location requirements.
- The support requirements.
- The exhaust requirements.
- The electrical power requirements.
- The service line requirements.
- The space requirements.

Refer to *Appendix B: Protector XL Dimensions* for complete fume hood dimensions.

Refer to *Appendix C: Protector XL Specifications* for complete laboratory fume hood electrical and environmental conditions, specifications and requirements.

Location Requirements



The fume hood should be located away from traffic patterns, doors, windows, fans, ventilation registers, and any other air-handling device that could disrupt its airflow patterns. All windows in the room should be closed.

La hotte aspirante devrait être localisé loin des voies de circulation, des portes, des fenêtres, des ventilateurs, des bouches de ventilation, et de tout appareil qui pourrait interrompre ses voies de flux d'air. Toutes les fenêtres dans la pièce devraient être fermées.

Support Requirements



DO NOT install the fume hood on a cart, dolly, or mobile bench. **ALL** Protector Hood installations must be permanent and stationary. The supporting structure usually consists of a base cabinet and chemically resistant work surface.

NE PAS installer la hotte aspirante sur un chariot ou un banc mobile. **TOUTES** les installations de la Hotte Protecteur doivent être permanentes et fixes. La structure de soutien consiste habituellement en un meuble doté d'une surface de travail chimiquement résistante.

Exhaust Requirements

The exhaust duct connection has been designed for 12" nominal duct (12.75" OD) to allow for minimum static pressure loss while operating at 60 to 100 fpm face velocities. The 12" diameter exhaust duct also allows for proper transport velocities away from the hood in the 1000 fpm to 2500 fpm range. The proper exhaust volume and static pressure loss are listed next for each hood model:

Projected Airflows and Static Pressure

Hood Type	Face Velocity (fpm)		Eco Energy Saving Air Foil				Flush Air Foil			
	Sash at Full open at 28"	Sash at 62.5% open at 18"	Airflow Volumetric Rate (CFM) @ Static Pressure (inches of water)				Airflow Volumetric Rate (CFM) @ Static Pressure (inches of water)			
			4' Hood	5' Hood	6' Hood	8' Hood	4' Hood	5' Hood	6' Hood	8' Hood
XL	100	160	725, 0.27"	955, 0.34"	1180, 0.46"	1640, 0.31"	760, 0.28"	1000, 0.36"	1235, 0.49"	1715, 0.33"
	80	128	580, 0.17"	765, 0.22"	945, 0.29"	1310, 0.20"	605, 0.18"	800, 0.23"	990, 0.31"	1370, 0.21"
	60	96	435, 0.10"	575, 0.12"	710, 0.17"	985, 0.11"	455, 0.10"	600, 0.13"	745, 0.18"	1030, 0.12"
	50	80	365, 0.07"	480, 0.09"	590, 0.11"	820, 0.08"	380, 0.07"	500, 0.09"	620, 0.12"	860, 0.08"
	40	64	290, 0.04"	380, 0.05"	470, 0.07"	655, 0.05"	305, 0.05"	400, 0.06"	495, 0.08"	685, 0.05"

Hood Type	Face Velocity (fpm)		Eco Energy Saving Air Foil				Flush Air Foil			
	Sash at 62.50% open at 18"	Sash at Full open at 28"	Airflow Volumetric Rate (CFM) @ Static Pressure (inches of water)				Airflow Volumetric Rate (CFM) @ Static Pressure (inches of water)			
			4' Hood	5' Hood	6' Hood	8' Hood	4' Hood	5' Hood	6' Hood	8' Hood
XL	100	62	450, 0.11"	595, 0.13"	735, 0.18"	1025, 0.12"	485, 0.11"	640, 0.14"	790, 0.19"	1100, 0.13"
	80	50	365, 0.07"	480, 0.09"	590, 0.11"	820, 0.08"	390, 0.07"	515, 0.08"	635, 0.11"	880, 0.08"
	60	38	270, 0.04"	360, 0.05"	440, 0.07"	615, 0.04"	290, 0.04"	385, 0.05"	475, 0.07"	660, 0.05"

Projected Airflows and Static Pressure

Hood Type	Face Velocity (fpm)		Eco Energy Saving Air Foil				Flush Air Foil			
	Sash at Full open at 28"	Sash at 62.5% open at 18"	Airflow Volumetric Rate (CFM) @ Static Pressure (inches of water)				Airflow Volumetric Rate (CFM) @ Static Pressure (inches of water)			
			4' Hood	5' Hood	6' Hood	8' Hood	4' Hood	5' Hood	6' Hood	8' Hood
XL W/Bypass Block	100	160	705, 0.25"	930, 0.32"	1150, 0.44"	1600, 0.30"	740, 0.26"	975, 0.34"	1205, 0.47"	1675, 0.32"
	80	128	565, 0.16"	745, 0.21"	920, 0.28"	1280, 0.19"	590, 0.17"	780, 0.22"	965, 0.30"	1340, 0.21"
	60	96	425, 0.09"	560, 0.12"	690, 0.16"	960, 0.11"	445, 0.09"	585, 0.12"	725, 0.17"	1005, 0.12"
	50	80	350, 0.06"	465, 0.08"	575, 0.11"	800, 0.08"	370, 0.07"	490, 0.09"	605, 0.12"	840, 0.08"
	40	64	280, 0.04"	370, 0.05"	460, 0.07"	640, 0.05"	295, 0.04"	390, 0.05"	480, 0.08"	670, 0.05"

Hood Type	Face Velocity (fpm)		Eco Energy Saving Air Foil				Flush Air Foil			
	Sash at 62.50% open at 18"	Sash at Full open at 28"	Airflow Volumetric Rate (CFM) @ Static Pressure (inches of water)				Airflow Volumetric Rate (CFM) @ Static Pressure (inches of water)			
			4' Hood	5' Hood	6' Hood	8' Hood	4' Hood	5' Hood	6' Hood	8' Hood
XL W/Bypass Block	100	62	440, 0.10"	580, 0.12"	720, 0.17"	1000, 0.12"	475, 0.10"	625, 0.13"	775, 0.18"	1075, 0.12"
	80	50	350, 0.06"	465, 0.08"	575, 0.11"	800, 0.08"	380, 0.07"	500, 0.09"	620, 0.12"	860, 0.08"
	60	38	265, 0.04"	350, 0.05"	430, 0.06"	600, 0.04"	285, 0.04"	375, 0.05"	465, 0.07"	645, 0.05"

Airflows and Static Pressure

Hood Type	Face Velocity (fpm)		Eco Energy Saving Air Foil		
	Sash at Full open at 28"	Sash at 62.5% open at 18"	Airflow Volumetric Rate (CFM) @ Static Pressure (inches of water)		
			10' Hood	12' Hood	16' Hood
XL W/Bypass Block	100	160	2100, 0.45"	2560, 0.62"	3500, 0.37"
	80	128	1680, 0.28"	2050, 0.39"	2800, 0.23"
	60	96	1260, 0.16"	1535, 0.22"	2100, 0.13"
	50	80	1050, 0.11"	1280, 0.16"	1750, 0.09"
	40	64	840, 0.07"	1025, 0.10"	1400, 0.06"

Hood Type	Face Velocity (fpm)		Eco Energy Saving Air Foil		
	Sash at 62.50% open at 18"	Sash at Full open at 28"	Airflow Volumetric Rate (CFM) @ Static Pressure (inches of water)		
			10' Hood	12' Hood	16' Hood
XL W/Bypass Block	100	62	1300, 0.17"	1585, 0.24"	2170, 0.14"
	80	50	1050, 0.11"	1280, 0.16"	1750, 0.09"
	60	38	800, 0.06"	970, 0.09"	1330, 0.05"

Proper blower selection can be determined from these exhaust requirements and the total system static pressure loss. Contact Labconco Customer Service for assistance in sizing a blower system.

Electrical Requirements

The Protector Hood models feature internal wiring for the LED light assembly and light switch. All internal wiring is terminated at the single point wiring junction box for hook-up by a qualified electrician. The blower switch, and light switch wires are also terminated at the single point wiring junction box for hook-up by a qualified electrician. Refer to *Chapter 3: Getting Started* and *Appendix C: Protector XL Specifications* for the wiring diagram for proper electrical installation.

Les modèles Protège-capot disposent câblage interne de l'assemblage de lumière LED et interrupteur de lumière. Tout le câblage interne est terminé à la boîte de jonction point de câblage unique pour le raccordement par un électricien qualifié. Le bouton du ventilateur, et fils de l'interrupteur de lumière sont également mis fin à la boîte de jonction point de câblage unique pour le raccordement par un électricien qualifié. Reportez-vous au Chapitre 3: Mise en route et à l'Annexe C: Spécifications Premier Protector pour le schéma de câblage pour l'installation électrique correcte.

Service Line Requirements

All service lines to the laboratory fume hood should be ¼ inch outside diameter, copper (brass for natural gas), and equipped with an easily accessible shut-off valve, should disconnection be required. Recommended operating pressure is 40 PSI, with a maximum allowable pressure of 200 PSI. Consider a pressure regulator to reduce line pressure to 40 PSI. Please check with local codes for other requirements.

Space Requirements

The dimensions for the different models are shown in *Appendix B: Protector XL Dimensions*.

CHAPTER 3

GETTING STARTED

Now that the site for your laboratory fume hood is properly prepared, you are ready to unpack, inspect, install, and certify your unit. Read this chapter to learn how to:

- Unpack and move your Protector Hood.
- Set up the fume hood with the supporting structure and work surface.
- Connect to an exhaust system.
- Connect the electrical supply source.
- Connect the service lines.
- Sealing the Protector Hood to the work surface.
- Arrange certification of your Protector Hood.

Depending upon which model you are installing, you may need common plumbing and electrical installation tools in addition to 5/16", 3/8", 7/16", and 1/2" wrenches, ratchets, sockets, a nut driver set, a flat-blade screwdriver, a Phillips screwdriver, and a carpenter level to complete the instructions in the chapter.



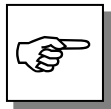
The Protector XL Hood models weigh between 400 to 1600 lbs. (182-726 kg). The shipping skid allows for lifting with a mechanical lift truck or floor jack. If you must lift the fume hood manually, follow safe-lifting guidelines. Normally, the fume hood can be slid off a hydraulic lift table and be placed into position on top of the work surface. Do not lift by the front air foil.

Les XL modèles de la Hotte Protecteur pèsent entre 400 à 1600 livres. (182-726 Kg). La palette bois d'envoi permet le soulèvement par un camion muni d'un élévateur mécanique ou par un cric rouleur. Si vous devez soulever manuellement la hotte aspirante, respectez les règles de sécurité du soulèvement. Normalement, la hotte aspirante peut être glissée d'une table

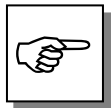
munie d'un élévateur hydraulique et être placée en position sur la surface de travail. Ne pas soulever par l'écoulement d'air du devant.

Unpacking Your Fume Hood

Carefully remove the shrink-wrap or carton on your fume hood and inspect it for damage that may have occurred in transit. If your unit is damaged, notify the delivery carrier immediately and retain the entire shipment intact for inspection by the carrier.



DO NOT RETURN GOODS WITHOUT THE PRIOR AUTHORIZATION OF LABCONCO. UNAUTHORIZED RETURNS WILL NOT BE ACCEPTED.



IF YOUR HOOD WAS DAMAGED IN TRANSIT, YOU MUST FILE A CLAIM DIRECTLY WITH THE FREIGHT CARRIER. LABCONCO CORPORATION AND ITS DEALERS ARE NOT RESPONSIBLE FOR SHIPPING DAMAGES.

The United States Interstate Commerce Commission rules require that claims be filed with the delivery carrier within fifteen (15) days of delivery.

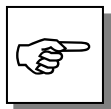
Do not discard the shipping skid or packing material for your fume hood until you have checked all of the components and installed and tested the unit. **The XL fume hood baffles are shipped loose behind the hood and do not discard. The upper baffle is 16.5" tall, the middle baffle is 23.3" tall, and the lower perforated baffle is 17.3" tall. See Figure 1-1, Figure 3-1 and Figure B-1 that shows proper XL baffle installation.** Do not remove the fume hood from its shipping skid until it is ready to be placed into its final location. Move the unit by placing a flat, low dolly under the shipping skid, or by using a floor jack.



Do not move the hood by tilting it onto a hand truck.

Ne pas déplacer la hotte en le penchant sur un diable.

Removing the Shipping Skid



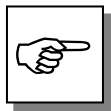
LEAVE THE FUME HOOD ATTACHED TO ITS SHIPPING SKID UNTIL IT IS AS CLOSE TO ITS FINAL LOCATION AS POSSIBLE. MOVE THE HOOD BY USING A SUITABLE FLOOR JACK, OR BY PLACING A FURNITURE DOLLY UNDERNEATH THE SKID. **DO NOT** MOVE THE HOOD BY TILTING IT ONTO A HAND TRUCK.

After you verify the fume hood components, move your hood to the location where you want to install it. Should you require disassembly to move the hood, then follow the instructions in *Appendix F*. Then, follow the steps listed next to remove the shipping skid from your unit.

1. Remove the side panels by unscrewing the Phillips screws.
2. Find the hardware (bolts, washers, nuts) that attach the fume hood to the skid and remove the hardware. Some hardware is on the sides and some is on the back.

Sash Weight Release

To protect the fume hood from damage in shipment, the sash weight has been secured to the back of the fume hood with screws. Simply remove the screws and make sure the sash cables or chains are on the pulleys or sprockets before operation of the sash. On models with more than one sash, the sash weights have been secured to the shipping skid with lag screws. Remove the weights from the skid and attach them to the respective sash cables using the hooks provided.



NOTE: THE SASH WEIGHT ITSELF WAS INDIVIDUALLY MATCHED FOR THIS SPECIFIC HOOD AND SHOULD NOT BE EXCHANGED ON ANY OTHER UNIT.

Installing the Hood on a Supporting Structure and Work Surface



The Protector Hood is heavy! Use caution when lifting or moving the unit.

La Hotte Protecteur est lourd ! Prudence en soulevant ou en déplaçant l'objet.

When installing the Protector Fume Hood onto a chemically-resistant work surface or benchtop, ensure that the structure can safely support the combined weight of the fume hood and any related equipment. The work surface should be at least as wide as the hood to properly support it. **The work surface is aligned flush with the back of the fume hood for good airflow: this will provide the correct spacing under the air foil for proper bypass airflow. The lower base cabinets are placed flush with the front of the work surface as shown in Figure 3-1.**



WARNING: It is important to support the rear of the work surface and fume hood. The cross support provides support for the bottom of the work surface. Install the cross support after the base cabinets and work surface are leveled and before installing the hood.

AVERTISSEMENT : Il est important de soutenir l'arrière de la surface de travail et la hotte aspirante. Le support transversal soutient le bas de la surface de travail. Installer le support transversal après que les meubles et la surface de travail soient nivelés et avant d'installer la hotte.

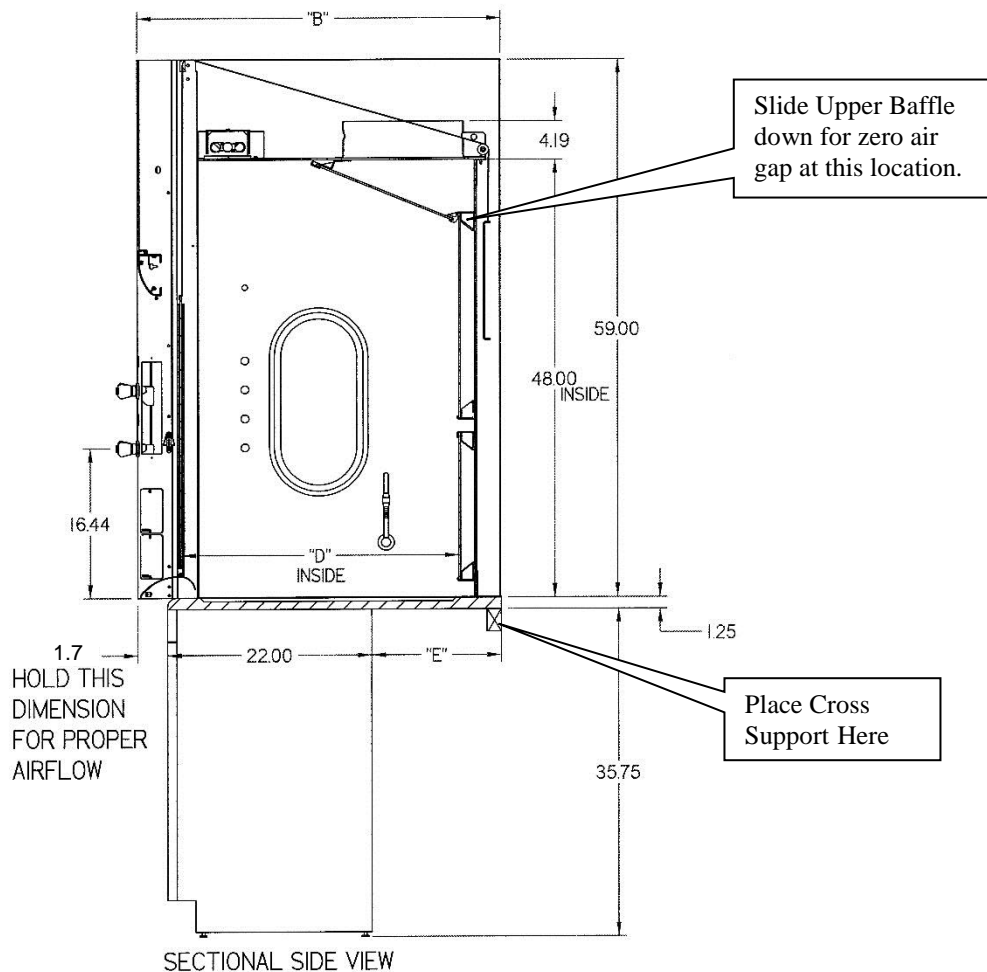
Chapter 3: Getting Started

The following are instructions for mounting a cross support:

1. Level the base cabinets and the work surface. Work surface should be placed flush with the back of the fume hood as shown in Figure 3-1.
2. Scribe a line on the wall or back of the base cabinet to locate the support under the work surface.
3. Mount the support by attaching it to the wall or base cabinet.
4. Place the hood on top of the work surface and cross support.

The work surface should be smooth and durable, such as a chemically-resistant epoxy resin. The surface should be nonporous and resistant to the acids, solvents, and chemicals used in conjunction with the Protector Fume Hood. The work surface should also contain a dished recessed area for containing primary spills.

Figure 3-1



Dimensions Shown in Inches			
Hood Depth "B"	Hood Internal Depth "D"	Filler Panel Depth "E"	Work Surface Depth
31.7"	24"	8"	30"
37.7"	30"	14"	36"
43.7"	36"	20"	42"

Connecting to the Hood Exhaust System



WARNING: The weight of the exhaust ductwork system must be supported independently of the hood superstructure. Do not allow this weight to be supported by the hood structure as damage to the hood may occur.

AVERTISSEMENT : Le poids du système d'aspiration de ductwork doit être soutenu d'une manière indépendante de la superstructure de la hotte. Au cas où ce poids est supporté par la structure de la hotte, des dommages à la hotte peuvent arriver.



The exhaust connection should be installed by a qualified HVAC contractor. The exhaust connection on your hood has been designed for 12" nominal pipe (12.75" OD) to allow for minimum static pressure loss with proper transport velocities away from the hood. Consult Labconco Customer Service should you require help sizing your blower for the exhaust volume and total system static pressure loss.

La connexion d'échappement devrait être installée par un professionnel de CVC agréé. La connexion d'aspiration sur votre hotte a été conçue pour un tuyau nominal de 12 pouces (12,75 pouces de diamètre externe) afin d'avoir une perte minimale de pression statique avec les correctes flux de transport loin de la hotte. Consulter le Service Clientèle de Labconco si la calibration de votre soufflerie pour le volume d'aspiration et la perte de pression statique du système le requiert.



The selected exhaust duct material should match the hood procedures and chemicals used to ensure compatibility.

Le matériel de conduit d'aspiration choisi devrait être en conformité avec les procédures de la hotte et les produits chimiques qui sont utilisés pour garantir la compatibilité.

Connecting the Electrical Supply Source to the Protector Fume Hood

Prior to connecting any electrical wiring to the fume hood structure, refer to the hood identification plate for the proper electrical requirements of your specific model.




WARNING: The building electrical supply system for Protector Hoods should include overload protection. A switch or circuit breaker should be in close proximity to the equipment and within easy reach of the operator. The switch or circuit breaker is to be marked as the disconnecting device for the equipment. Consult the NEC-2002 for proper installation.

AVERTISSEMENT : Le système d'alimentation électrique de la Hotte Protecteur doit inclure la protection contre la surcharge. Un commutateur ou disjoncteur doit être tout près de l'équipement et à portée facile de l'opérateur. Le commutateur ou le disjoncteur doit être marqué comme l'appareil débranchant pour l'équipement. Consulter le NEC-2002 pour une installation correcte.

The identification plate, model number, serial number, and electrical connection boxes are accessible from the front of the fume hood by removing the front panel.

The Protector XL Hood is normally wired for 115 Volt, 50/60 Hz, 20 Amp or 230Volt, 50/60 Hz, 10 Amp electrical service. Check the I.D. plate behind the front panel for voltage verification. The number of circuits varies depending on the model. All of the electrical connections are terminated at the field wiring terminal box for hook-up by a qualified electrician. We recommend each circuit be a dedicated branch circuit. However, if wired together the maximum load allowed is the sum of individual outlets plus the rating of the unit (i.e. 2 Amps). The single point internal junction box is used for the connection of the lights, blower, and duplex outlets. Refer to the wiring diagram for your Protector XL in *Appendix C: Protector XL Specifications*.

The fume hood is required to be grounded to the MAINS protective earthing ground for safe operation. Using a ring terminal sized for a 10-24 machine screw, connect the MAINS ground conductor to the grounding lug marked with the protective earthing symbol, . Only MAINS ground conductors should be connected to the protective earthing ground lug, no other conductors should be connected to this grounding lug. Using wire nuts connect the MAINS supply conductors to the fume hood supply wires. Insure that the wires are connected as per the appropriate wire color codes for the input voltage. For 115V Phase (Hot) is black and Neutral is white, for 230V Phase1 is brown and Phase2 is blue. Refer to the wiring diagram for your Protector XL in *Appendix C: Protector XL Specifications*.

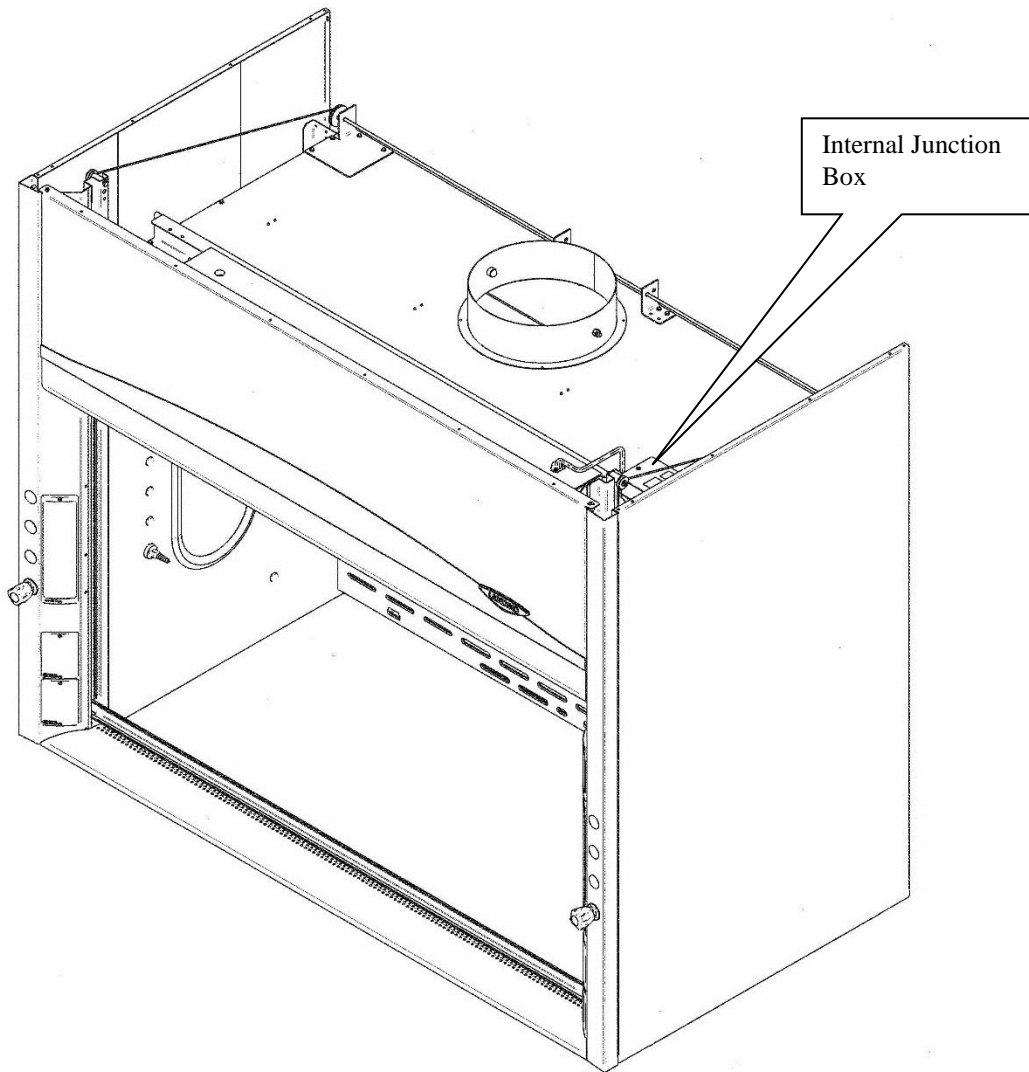
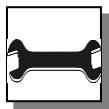


Figure 3-2



All wiring for the fume hood SHOULD be performed by a licensed electrician and conform to all local codes. In most cases, the hood will require the use of shielded conduit to protect the wiring into the hood. The grounding connection shall not be made to the terminal box cover.

Tout le câblage électrique pour la hotte aspirante devrait être exécuté par un électricien agréé et être conforme à tous les règles en vigueur. Dans la plupart des cas, la hotte exigera l'usage de conduit blindé pour protéger le câblage électrique dans la hotte. La prise de terre ne sera pas faite à la couverture de la boîte du terminal.

Chapter 3: Getting Started

The LED light has been mounted outside the top liner panel and is sealed from vapors inside the hood structure. To change the fluorescent light bulbs in your hood, you must first remove the front panel from the hood. Next remove the knock out plugs holding the light fixture in place. Lift fixture up and replace any defective bulbs. Reverse order to reassemble.

Connecting the Service Lines to the Protector Fume Hood

The hoods with service fixtures have been plumbed from the valve to the hose connector or gooseneck for your installation convenience. Supply tubing shall be provided by the qualified installer. Tubing can enter the hood from above, through the back, or through the work surface to make these connections to the service fixtures.



NOTE: Inspect all fittings for leakage. Tighten the fittings slightly if needed.

NOTE : Inspecter toutes les installations à la recherche de fuite. Resserrer les installations légèrement si nécessaires.



CAUTION: Do not use oxygen with any standard service fixture. Contact Labconco Customer Service for oxygen fixture information.

PRUDENCE : Ne pas utiliser de l'oxygène avec l'accessoire de service standard. Contacter le Service Clientèle de Labconco pour les informations d'accessoire d'oxygène.

Should access to the hood plumbing fixture bodies be required, remove the service access plate on the hood front corner posts by loosening their individual screws (see item 11, Figure A-1 in *Appendix A*). The valve body will now be fully exposed for any service work that may be necessary. The service fixtures supplied on your laboratory hood are designed for use with the following services:

- Air
- Cold Water
- Hot Water
- Natural Gas – See caution below
- Vacuum



WARNING: Contact Labconco Customer Service directly before using any service other than those listed above in these valves to assure full compatibility.

AVERTISSEMENT : Contacter le Service Clientèle de Labconco directement avant d'utiliser n'importe quel service autre que ceux énumérés au-dessus dans ces soupapes pour assurer une pleine compatibilité.



CAUTION: Natural gas should be used only in the service fixture that has been pre-plumbed with brass tubing. Sulfur content of the gas could cause deterioration of standard copper supply lines.

PRUDENCE : Le gaz naturel devrait être seulement utilisé dans l'accessoire de service qui a été pré soudé avec des tuyaux de cuivre. Le contenu soufré du gaz pourrait causer la détérioration des lignes d'alimentation en cuivre standard.

Sealing the Protector Hood to the Work Surface

When the hood has been set in place, ducted, wired, and plumbed, it should be sealed at the work surface to prevent spilled materials from collecting under the walls of the hood. Materials such as silicone sealants are recommended to seal the hood structure.

Certifying the Protector Fume Hood

The combination of your laboratory hood, exhaust ductwork, and exhaust blower gives you the flexibility to change the airflow at the sash opening of your hood. To determine the actual face velocity at the sash opening, airflow velocity readings will need to be taken. This should be done across the sash opening of the hood in accordance with the *Industrial Ventilation Manual* section on laboratory hoods (see *Appendix E: References*). Labconco recommends an average face velocity at the sash opening of 60 to 100 feet per minute. Consult Chapter 2 for proper airflow volumes for your particular model.

Your Protector Fume Hood has been tested at the factory per ASHRAE 110-1995. All hoods achieve an “as manufactured rating” of less than 0.05 part per million (ppm) at 4 liters per minute (lpm); AM<0.05 (consult Labconco for individual fume hood ratings). For “field use” ASHRAE testing contact Labconco Sales Engineering Team or Customer Service for a certified on-site contractor.



NOTE: Face velocity profiles and smoke testing should be done periodically to ensure safe performance.

NOTE : Les profils de flux frontal et les tests de fumée devraient être régulièrement faits pour garantir une utilisation en toute sécurité.

CHAPTER 4

PERFORMANCE FEATURES AND SAFETY PRECAUTIONS

Performance Features:

The Protector XL Laboratory Hood is designed to meet the needs of the laboratory scientist at OSHA approved velocities as low as 60 feet per minute. The laboratory fume hood has been designed to effectively contain toxic, noxious, or other harmful materials when properly installed. A fully featured by-pass hood with baffle and air foil, this hood maintains safe airflow. Optional energy saving A-Style Combination Sash models are also available. The hood features by-pass airflow design that promotes full containment as the sash is moved. Airflow is diverted behind the front panel and under the air foil to help control fluctuations in face velocity, which occur as the sash is closed.

1. **Unique sash provides maximum visibility of 37.5" high while conserving energy by limiting sash travel to 28"**. Vertical-rising sash may be raised from a closed to 28" operating height. The fume hood features a containment-enhancing sash handle. Optional sash stops are available to limit sash height and reduce energy usage.
2. **By-pass airflow design** ensures containment as the sash moves.
3. **Large usable interior work depth and interior height of 48"** provides ample working space.
4. **Baffle** (not shown) directs airflow to the rear of the interior to provide efficient airflow. The baffle may be removed for cleaning purposes only. The Opti-Zone™ baffle provides optimized airflow and face velocity profile for optimal containment.
5. **Exterior access cover plates** are removable for easy access to plumbing valves and sash adjustment hardware when access through the sides is not available.

6. **Lift-Away™ front panel** provides easy access to electrical wiring, sash weights, and lighting fixtures.
7. **Energy efficient LED lighting** is located behind a laminated safety glass shield mounted to the top of the hood. The factory-wired instant start T8 lighting is serviceable from outside the hood cavity. Additionally, the long lasting 50,000 hour direct wired LED T8 bulbs are more energy efficient, utilizing approximately ½ the power of fluorescent bulbs. See Appendix A for wattage.
8. **Low mounted, factory-wired light and blower switches** are ADA compliant.
9. **All Air Foils** allow air to sweep the work surface for maximum containment. Airfoils are offered with either Eco-Energy Saving or Flush Foil. The Clean-Sweep™ openings create a constant barrier from contaminants. In addition, should the operator inadvertently block the airflow entering, the air continues to enter from under the air foil and through the Clean-Sweep openings. See Appendix A for alternate PVC Eco-Air Foil as PVC material resists corrosion from mineral acids.
10. **Streamlined corner posts** provide maximum visibility and the flexibility to add services after installation.
11. **All hoods are factory prepared for up to 8 service fixtures.**
12. **Duplex electrical receptacles** are mounted on the right and left corner posts as requested. Receptacles are factory-wired to hood single point junction box.
13. **Shipped fully assembled** and eliminates the need for costly onsite assembly.
14. **Accessory Guardian™ Digital Airflow Monitor** or **Guardian Airflow Monitor** continuously monitors face velocity. An audio/visual alarm alerts the user to low airflow conditions. The right corner post is factory prepared to accommodate the Guardian Monitor (sold separately).
15. **Optional Sash Models.** Sashes are offered in smooth anti-racking cable, chain, auto-return, or Intelli-Sash.
16. **Frame of epoxy-coated steel and aluminum** is durable and corrosion resistant.
17. **Exhaust Connection.** The hood features 12" (12.75" OD pipe) exhaust connections sized to allow for a minimum static pressure loss through the hood structure while providing a good transport velocity through the exhaust system.
18. **Spillstopper™ Solid Epoxy Work Surface** is dished to contain spills. (Work surface is sold separately).
19. **Optional Ceiling Enclosure Kits** are available for a decorative facade between the hood and the ceiling.
20. **Optional Sash Stops** provide a means of controlling the operating height of the sash.

Chapter 4: Performance Features & Safety Precautions

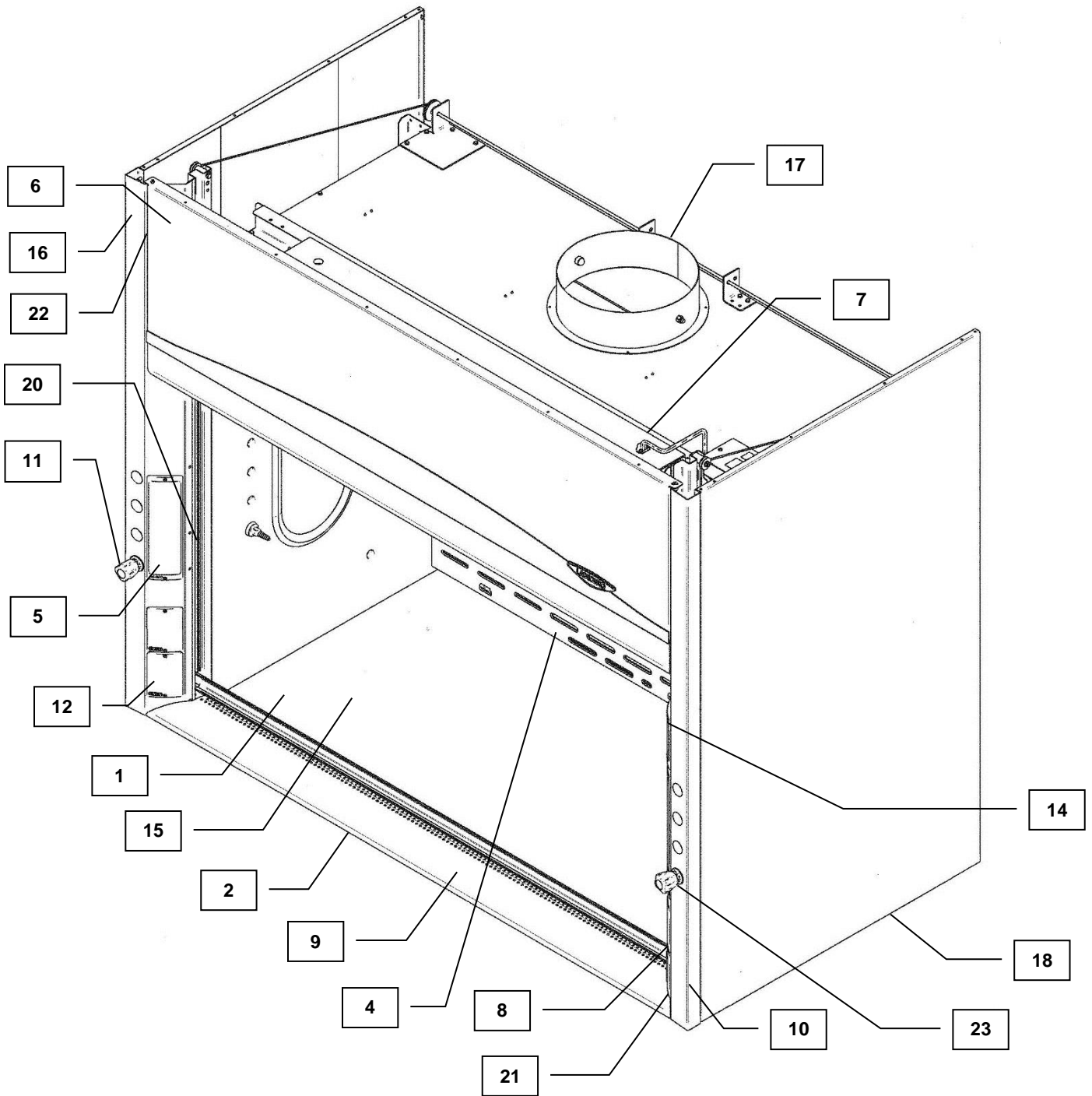





Figure 4-1

See Diagram on Page 20.

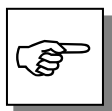
21.  **CAUTION** – Current rating of receptacle is specified in *Appendix D*.
AVERTIR – Classification des prises de courant est spécifié dans l'Annexe D.
22.  **CAUTION** – See Appendix C and D for complete current rating.
AVERTIR – Voir Annexe C et D pour la classification complète du courant.
23.  **CAUTION** – Flammable Gas.
AVERTIR – Gaz Inflammable.

Safety Precautions



Although the laboratory hood has been engineered to maintain optimum operator safety, caution should always be used while working in the hood. Prior to using the hood, check to make sure that the exhaust blower is operating and that air is entering the hood at its specified face velocity.

Bien que la hotte de laboratoire ait été réglée pour maintenir la sécurité optimale de l'opérateur, la prudence devrait toujours être utilisée en travaillant sous la hotte. Avant utiliser la hotte, le contrôle pour s'assurer que la soufflerie d'aspiration fonctionne et que cet air entre dans la hotte au flux spécifié.



USE GOOD HOUSEKEEPING IN THE HOOD AT ALL TIMES. CLEAN UP SPILLS IMMEDIATELY WITH A MILD DETERGENT. PERIODICALLY CLEAN HOOD INTERIOR, INCLUDING FLUORESCENT LIGHT GLASS PANEL. REPLACE BURNED OUT LIGHT BULBS TO MAINTAIN MAXIMUM ILLUMINATION.

DO NOT OVERLOAD THE WORK SURFACE WITH APPARATUS OR WORK MATERIAL. THE SAFE OPERATION OF THE LABORATORY HOOD IS BASED UPON HAVING PROPER AIRFLOW THROUGH THE STRUCTURE. DO NOT PLACE LARGE, BULKY OBJECTS SUCH AS BLOCK HEATERS, DIRECTLY ON THE HOOD WORK SURFACE. INSTEAD, ELEVATE THE OBJECT 2" TO 3" ON BLOCKS TO ALLOW A FLOW OF AIR UNDER THE OBJECT AND INTO THE LOWER REAR BAFFLE EXHAUST SLOT. ENSURE BLOCKS ARE LEVEL AND SECURED IN PLACE.



Blocking the bottom of the baffle at rear of hood will change the airflow pattern in the hood causing turbulence and possible leakage at the face of the hood. (Don't store containers or supplies against baffles, as this will affect airflow through the hood).

Avoid placing your head inside hood. Keep hands out of hood as much as possible.

Bloquer le fond du déflecteur à l'arrière de la hotte changera le modèle du flux d'air dans la hotte causant de la turbulence et une fuite possible devant la hotte. (Ne pas emmagasiner des récipients ou des provisions contre les déflecteurs, car ceci affectera le flux d'air à travers la hotte).

Eviter de placer votre tête à l'intérieur de la hotte. Garder les mains à l'extérieur de la hotte le plus possible.

Always work as far back in hood as possible. It is best to keep all chemicals and apparatus 6" inside the front of the hood.

Toujours travailler aussi loin que possible de la hotte. Il est recommandé de garder tous les produits chimiques et appareils à 6 pouces à l'intérieur de l'avant de la hotte.

This hood does not feature explosion-proof electrical components, unless ordered separately. Therefore, use of flammable or explosive materials in quantities above the explosive limit are not recommended.

Cette hotte ne possède pas de composants électriques anti-explosion, à moins que commandé séparément. Donc, l'usage de matériels inflammables ou explosifs dans les quantités au-dessus de la limite explosive n'est pas recommandé.

Do not work with chemicals in this hood without the exhaust system running. Do not store chemicals in a fume hood.

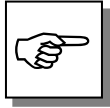
Ne pas travailler avec les produits chimiques sous cette hotte sans le système de d'aspiration en marche. Ne pas stocker des produits chimiques sous une hotte aspirante.

Perchloric acid use in this hood is prohibited.

L'usage d'acide perchlorique sous cette hotte est interdit.

High level radioisotope materials are prohibited for usage in this hood.

Les matériels d'isotope radioactif de haut niveau sont interdits à l'usage sous cette hotte.



AVOID CROSS DRAFTS AND LIMIT TRAFFIC IN FRONT OF THE HOOD. AIR DISTURBANCES CREATED MAY DRAW FUMES OUT OF THE HOOD.



The use of heat-generating equipment in this hood without the exhaust system operating properly can cause damage to the hood.

L'usage d'équipement chaleur-produisant dans ce capuchon sans l'opération de système d'aspiration peut causer convenablement des dommages à la hotte.

The Protector Laboratory Hood should be certified by a qualified certification technician before it is initially used. The hood should be re-certified whenever it is relocated, serviced or at least annually thereafter.

La Hotte de Laboratoire Protecteur devrait être certifiée par un technicien de certification qualifié avant qu'elle soit utilisée au début. La hotte devrait être re-certifiée quand elle est réinstallée, entretenue ou du moins annuellement par la suite.

Ensure that the unit is connected to electrical service in accordance with local and national electrical codes. Failure to do so may create a fire or electrical hazard. Do not remove or service any electrical components without first disconnecting the hood from electrical service.

Garantir que l'unité est connectée au service électrique conformément aux règles électriques en vigueur. Le non-respect peut créer un feu ou un risque d'origine électrique. Ne pas enlever ou entretenir des composants électriques sans débrancher premièrement l'alimentation électrique de la hotte.

Proper operation of the fume hood depends largely upon the hood's location and the operator's work habits. Consult the Reference Manual in *Appendix E*.

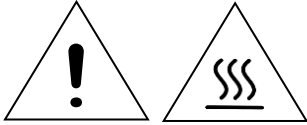
Le correct fonctionnement de la hotte d'aspiration dépend principalement de son emplacement et les habitudes de travail

Chapter 4: Performance Features & Safety Precautions

de l'opérateur. Consulter le Manuel de Référence dans l'Annexe E.

If the unit is not operated as specified in this manual it may impair the protection provided by the unit.

Si l'unité n'est pas utilisée comme spécifié dans ce manuel il peut diminuer la protection fournie par l'unité.



Do not touch the blower motor. The surfaces of the motor can become hot and could cause burns.

Ne pas toucher le moteur de soufflerie. Les surfaces du moteur peuvent devenir chaudes et pourrait causer des brûlures.



Do not position the fume hood so that it is difficult to operate the main disconnect device.

Ne pas positionner la hotte de sorte qu'il est difficile de faire fonctionner le dispositif principal de déconnexion.



To prevent the possibility of minor injury keep hands and fingers clear of sprockets at the top of the four corners.

Pour éviter les risques de blessures mineures garder les mains et les doigts de pignons en haut de la quatre coins.

CHAPTER 5

USING YOUR PROTECTOR XL

S Operating the Vertical-Rising Sash

Because of the Protector Hood counterbalanced sash mechanism, it will take only a few pounds of force to move the sash up or down, and you can operate the sash smoothly with one or two hands positioned any where along the handle. The vertical-rising sash may be raised to a maximum 28" operating height. The airflow requirements should be sized for the 28" operating height; if using sash stops then the airflow requirements can be reduced by approximately 40% at 18". See *Chapter 2* for airflows. Optional models with auto-return to 18" or electric Intelli-Sash are available.

A Operating the A-Style Combination Sash

Some other hood models have additional energy saving sashes called A-Style Combination Sashes in place of vertical-rising sashes. These combination sashes allow the operator to use the hood with sashes either half open horizontally or vertically to conserve energy. The horizontal sashes are used in normal operating mode. Optional sets of sash stops can be installed to prevent raising the vertical sash above the half-open and fully-closed positions unless manually defeated by the operator. The airflow requirements are sized for the 50% open sash condition.

S **A** Operating the Blower

Your Protector Fume Hood utilizes a remote style blower, which can be activated by turning the blower switch to "ON." You can validate the hood performance by watching smoke drawn into the hood face opening.

S**A**

Operating the Lights

Your Protector Fume Hood utilizes a factory-wired LED light to illuminate the hood interior (see Appendix A). Simply turn the light switch to “ON” to operate.

Working in your Protector Fume Hood

Planning

- Thoroughly understand procedures and equipment required before beginning work.
- Arrange for minimal disruptions, such as room traffic or entry into the room while the hood is in use.

Start-up

- Turn on light and hood blower.
- Slowly raise the sash.
- Check the baffle air slots for obstructions.
- Allow the hood to operate unobstructed for 5 minutes.
- Wear a long sleeved lab coat and rubber gloves. Use protective eyewear. Wear a protective mask if appropriate.

Loading Materials and Equipment

- Only load the materials required for the procedure. Do not overload the hood.
- Do not obstruct the front air foil, or rear baffle slots.
- Large objects should not be placed close together and spaced above the work surface to permit airflow to sweep under the equipment.
- After loading the hood, wait one minute to purge airborne contaminants from the work area.

Work Techniques

- Keep all materials at least 6 inches inside of the sash, and perform all contaminated operations as far to the rear of the work area as possible.
- Segregate all clean and contaminated materials in the work area.
- Avoid using techniques or procedures that disrupt the airflow patterns of the hood.

Final Purging

- Upon completion of work, the hood should be allowed to operate for two to three minutes undisturbed, to purge airborne contaminants from the work area before shutting down blower.

Unloading Materials and Equipment

- Objects in contact with contaminated material should be surface decontaminated before removal from the hood.
- All open trays or containers should be covered before being removed from the hood.

Shutdown

- Turn off the light and hood blower, then close the sash.

CHAPTER 6

MAINTAINING YOUR PROTECTOR XL

Now that you have an understanding of how to work in the fume hood, we will review the suggested maintenance schedule and the common service operations necessary to maintain your fume hood for peak performance.

Service Safety Precautions

- If performing any electrical maintenance, always disconnect the power at the main disconnect.
- If performing decontamination inside the fume hood, consult your safety officer for proper personal protective equipment and procedure.
- Since some service operations require a step ladder, always use proper safety and consult your safety officer
- If performing maintenance on any service lines, always shut off the supply first.
- Some removable components may be heavy, follow safe-lifting guidelines.
- Verify all components are installed correctly with performance verified before conducting normal operations.

Précautions de Sécurité pour l'Entretien

- Lors de l'entretien électrique, toujours débrancher le courant du secteur principal.
- Durant la décontamination sous la hotte d'aspiration, consulter votre responsable de sécurité pour le correct équipement de protection du personnel et la procédure.
- Puisque certaines opérations d'entretien exigent plusieurs étapes, toujours utiliser la correcte sécurité et consulter votre responsable de sécurité

- Lors de l'entretien sur n'importe quelles lignes de secteur, toujours éteindre premièrement l'alimentation.
- Quelques composants détachables peuvent être lourds, respecter les règles de sécurité du soulèvement.
- Vérifier tous les composants sont correctement installés avec un fonctionnement vérifié avant de faire des opérations normales.

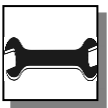


- **Only trained and experienced certification technicians should perform some of the service operations after the fume hood has been properly decontaminated. DO NOT attempt to perform these operations if you are not properly trained. The wrench icon precedes the service operations that require qualified technicians.**
- **Seulement les techniciens de certification expérimentés et entraînés devraient exécuter certaines des opérations d'entretien après que la hotte d'aspiration ait été convenablement décontaminée. NE PAS tenter d'exécuter ces opérations si vous n'êtes pas convenablement entraîné. L'icône de clé plate précède les opérations d'entretien qui exigent des techniciens qualifiés.**

Routine Maintenance Schedule

Weekly

- Using ordinary dish soap to clean the surface inside of the fume hood, and the work surface.
- Using an appropriate glass cleaner, clean the sash and all glass surfaces.
- Operate the fume hood blower, noting the airflow velocity through the hood using a source of visible smoke.



Monthly (or more often as required)

Mensuellement (ou plus régulièrement si nécessaire)

- Determine the actual face velocity through the sash opening of the hood where the average reading should be at the specified velocity. (Use calibrated thermal anemometer or other approved apparatus).
- Déterminer l'actuel flux d'aspiration à travers le sas d'entrée de la hotte où la valeur moyenne doit être égale à la valeur spécifiée. (Utiliser un anémomètre thermique calibré ou d'autres appareils approuvés).
- Using a damp cloth, clean the exterior surfaces of the hood, particularly the front of the hood, to remove any accumulated dust.
- En utilisant un chiffon humidifié, nettoyer les parties extérieures de la hotte, en particulier le devant de la hotte pour enlever la poussière accumulée.
- Check all service valves, if so equipped, for proper operation.
- Contrôler toutes les soupapes, si présentes, pour le bon fonctionnement.

Chapter 6: Maintaining Your Protector XL

- The hood baffles should be checked for blockages behind them to ensure that the hood is maintaining proper airflow.
- Les déflecteurs de hotte devraient être contrôlés pour leur blocage arrière afin d'assurer que la hotte maintient un flux d'air correct.
- All weekly activities.
- Toutes les activités hebdomadaires.



Annually **Annuellement**

- Replace the lamps, if needed.
- Remplacer les lampes, si nécessaire.
- Have the fume hood recertified by a qualified certification technician. See “Certifying the Protector Fume Hood” in *Chapter 3*.
- Recertifier la hotte aspirante par un technicien agréé en certification. Voir au Chapitre 3 « Certifier la Hotte Aspirante Protecteur ».
- All monthly activities.
- Toutes les activités mensuelles.

Biannually

- The sash assembly should be checked to ensure proper operation and to make sure there are no signs of abnormal wear on the sash pulleys, cables and clamps.

Routine Service Operations

Front Panel Removal:

1. Simply lift the front panel up and then away from the hood to provide access to the top.

A
S

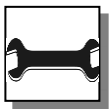
Changing the Lamp:

1. Turn light switch to “OFF”.
2. Remove the front panel as noted earlier.
3. Reach over the front header of the hood and remove knock out plugs at both ends of fixture. Lift fixture up.
4. Remove the lamp by pushing it out of the spring-loaded lamp socket and swinging it out of the other lamp socket.
5. Install the new lamp by reversing the removal procedure.

CHAPTER 7

MODIFYING YOUR PROTECTOR XL

There are several ways to modify the fume hood for your individual requirements. These include the addition of work surfaces, service fixtures, air monitor, distillation grids, electrical duplex outlets, ceiling enclosures, and rear panels.



Installing Work Surfaces

Your Protector Fume Hood requires a work surface to work properly. Contact Labconco Customer Service for ordering information.

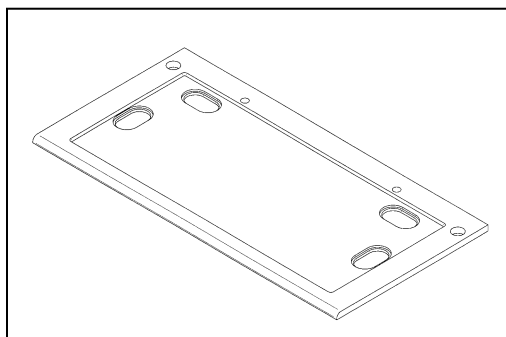


Figure 7-1



Installing Ceiling Enclosures Above the Fume Hood

Your Protector Fume Hood has mounting holes to accept a ceiling enclosure to close off the area between the top of the hood and the ceiling. Contact Labconco Customer Service for ordering information. Labconco offers both non-adjustable fixed height ceiling enclosures as well as adjustable height ceiling enclosures per the charts below. Other special sizes are available upon request.

3-Sided Ceiling Enclosure Kits

The panels extend above the top of the hood to the ceiling to hide exposed ductwork, plumbing and wiring. For any 3 ft to 8 ft Protector XL Benchtop, Premier, XStream, Stainless Steel or PVC Fume Hood. Each kit includes three glacier white powder-coated steel ceiling enclosure panels, one for the front of the hood and one for each side of the hood.

Configure Your Non-Adjustable Fixed Height Ceiling Enclosure Kit Catalog Number

Use this key to configure the seven digit catalog number to order your 3-Sided **Fixed Height** Ceiling Enclosure Kit. For example, **955011** is a 3-Sided Ceiling Enclosure Kit for a 5' x 37.7" deep Protector XL Hood with a fixed height of 12".

9

5

5

0

STEP 1. Select the **nominal width** of your fume hood. This number is the fifth digit of your catalog number.

3 = 3' (XL Benchtop only)

4 = 4'

5 = 5'

6 = 6'

7 = 7' (XL Benchtop only)

8 = 8'

STEP 2. Select the **depth** based on the model chosen. Choose 0 for Premier and 1 for XStream. Choose 1 for PVC. Choose 0, 1 or 2 for the correct depth of the XL Benchtop model. Choose 0 or 1 for the correct depth of Stainless Steel. This is the sixth digit of your catalog number.

No.	Ext. Depth	Model
0	31.7"	Premier, XL Benchtop, Stainless Steel
1	37.7"	XStream, XL Benchtop, XL Floor-Mounted, Stainless Steel, PVC
2	43.7"	XL Benchtop, XL Floor-Mounted

STEP 3. Choose the correct **height** that matches the number. This height should match the height between the top of the hood and the building ceiling. This is the seventh digit of your catalog number.

No.	Height
0	6"
1	12"
2	18"
3	24"
4	30"
5	36"

Configure Your Adjustable Height Ceiling Enclosure Kit Catalog Number

Use this key to configure the seven digit catalog number to order your 3-Sided **Adjustable Height** Ceiling Enclosure Kit. For example, **9414511** is a 3-Sided Ceiling Enclosure Kit for a 5' x 37.7" deep Protector XL Hood with a height range of 14-19".

9 4 1 4

STEP 1. Select the **nominal width** of your fume hood. This number is the fifth digit of your catalog number.

- 3 = 3' (XL Benchtop only)
- 4 = 4'
- 5 = 5'
- 6 = 6'
- 7 = 7' (XL Benchtop only)
- 8 = 8'

STEP 2. Select the **depth** based on the model chosen. Choose 0 for Premier and 1 for XStream. Choose 1 for PVC. Choose 0, 1 or 2 for the correct depth of the XL Benchtop model. Choose 0 or 1 for the correct depth of Stainless Steel. This is the sixth digit of your catalog number.

No.	Ext. Depth	Model
0	31.7"	Premier, XL Benchtop, Stainless Steel
1	37.7"	XStream, XL Benchtop, XL Floor-Mounted, Stainless Steel, PVC
2	43.7"	XL Benchtop, XL Floor-Mounted

STEP 3. Choose the correct **height range** that matches the number. This height range should match the height between the top of the hood and the building ceiling. This is the seventh digit of your catalog number.

No.	Height Range
0	11-14"
1	14-18.6"
2	18.6-24.4"

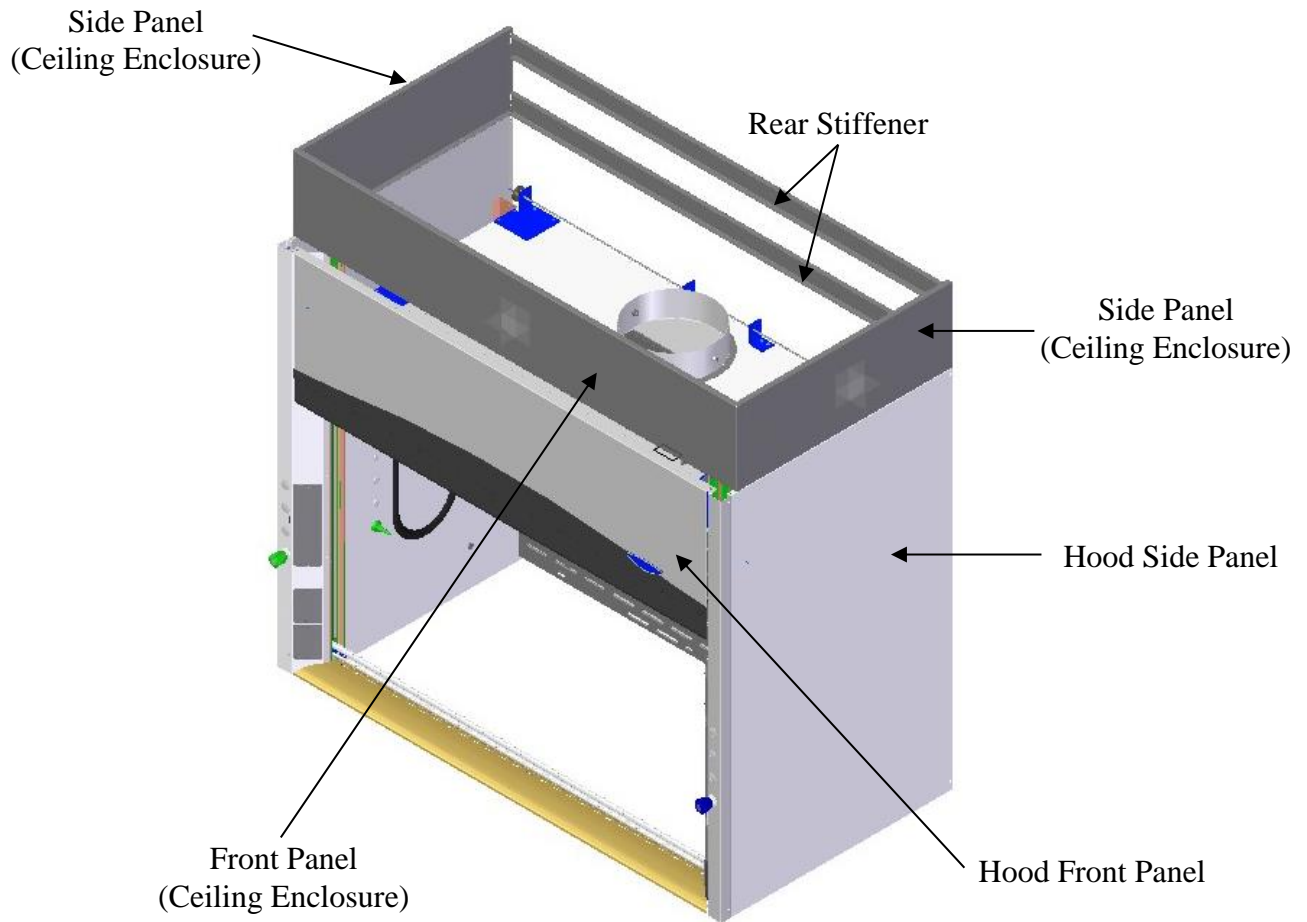
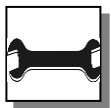


Figure 7-2



Installing Rear Panels Behind the Fume Hood

Your Protector Fume Hood can be modified to add a rear panel behind the fume hood when the fume hood is placed on an island (not available on Pass-Through Fume Hood). Contact Labconco Customer Service for ordering information.



Installing Additional Service Fixtures

Additional service fixtures can be installed in the available service fixture holes in both sidewalls and corner posts. The fume hood is factory set to accept up to four valves per side. Contact Labconco Customer Service for information.

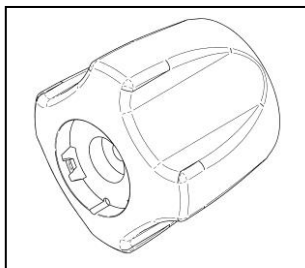


Figure 7-3 - Knob

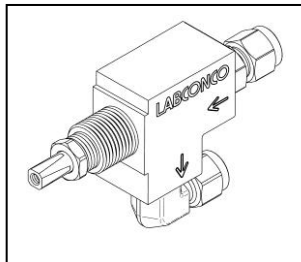


Figure 7-4 - Valve

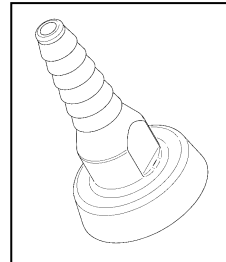
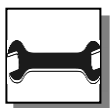
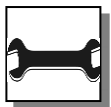


Figure 7-5 – Hose Connector



Installing Guardian™ Digital Airflow Monitor or Guardian™ Airflow Monitor

The Guardian Airflow Monitors continuously monitor face velocity through the fume hood opening. The fume hood right corner post is factory prepared to mount either monitor. Contact Labconco Customer Service to order.



Distillation Grids – Field Installation

The distillation grids have been strategically placed with the vertical rod center lines in front of the lower baffle and middle baffle. The distillation grids allow the hood user to mount glassware, motors, stirrers, and other apparatus (not available on Pass-Through Fume Hood). Contact Labconco Customer Service for ordering information.

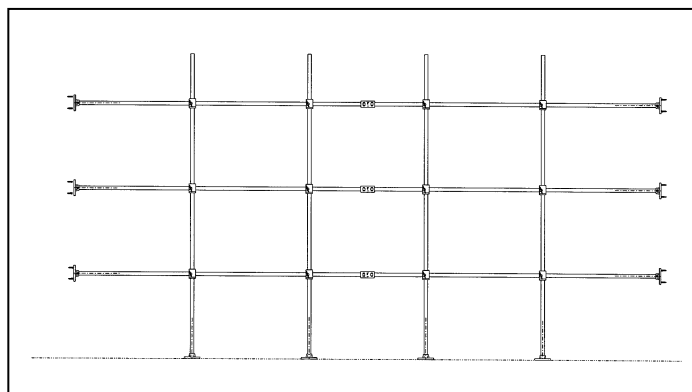


Figure 7-6



Sash Stop Kit – Field Installation P/N 9410300

The sash stop kit restricts how far a vertical-rising sash may be opened. This small plastic device may be easily field installed on the fixture corner post of any fume hood.



Upper Bypass for XL Field Installation

The upper bypass prepares the XL for use with variable air volume (VAV) systems and allows the hood to use less (CFM) as detailed in Chapter 2. The part numbers are listed below. 10', 12' and 16' hoods already have an upper bypass.

3' Protector XL Upper Bypass, P/N 9409200

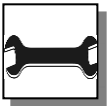
4' Protector XL Upper Bypass, P/N 9409201

5' Protector XL Upper Bypass, P/N 9409202

6' Protector XL Upper Bypass, P/N 9409203

7' Protector XL Upper Bypass, P/N 9409204

8' Protector XL Upper Bypass, P/N 9409205



Installing an Electrical Duplex Outlet

Your Protector Fume Hood can be ordered with duplex outlets, however, if you ordered a model without an electrical duplex outlet you can have one installed in the field by a qualified electrician. Contact Labconco Customer Service for ordering information. (Not acceptable on explosion-proof hoods).

Votre Protège-capot de fumées peut être commandé avec prises doubles, cependant, si vous avez commandé un modèle sans prise de courant duplex, vous pouvez en faire installer sur le terrain par un électricien qualifié. Contactez le service clientèle Labconco pour commander. (Non acceptable sur antidéflagrants hottes).

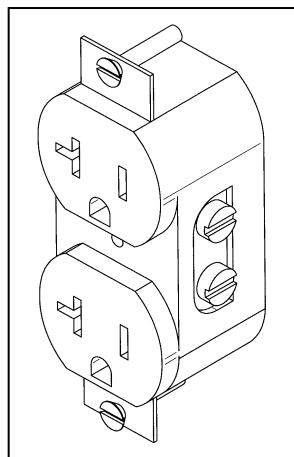


Figure 7-7

CHAPTER 8

TROUBLESHOOTING

Refer to the following table if your fume hood fails to operate properly. If the suggested corrective actions do not solve your problem, contact Labconco for additional assistance.

PROBLEM	CAUSE	CORRECTIVE ACTION
Remote blower and lights won't operate	Wires not connected at junction boxes or switches.	Check connection of switches. Check connection to control box on top of unit.
	Circuit breakers tripped in building electrical supply.	Reset circuit breakers.
Remote blower won't operate, but lights work	Blower wiring is disconnected.	Inspect blower wiring and switch.
	Belt broken	Replace belt.
	Blower motor is defective.	Replace blower motor.
Fume hood blower operates but lights will not operate	Lamp not installed correctly.	Inspect lamp installation.
	Lamp is defective.	Replace lamp.
	Lamp circuit breaker in building is tripped.	Reset the lamp circuit breaker.

Chapter 8: Troubleshooting

PROBLEM	CAUSE	CORRECTIVE ACTION
Fume hood blower operates but lights will not operate	Lamp wiring is disconnected.	Inspect lamp wiring.
	Defective lamp ballasts.	Replace lamp ballasts.
Contaminants outside of fume hood	Improper user techniques for the fume hood.	See “Certifying the Hood” Chapter 3 and “Safety Precautions” Chapter 4 sections in the manual. (Ref. Appendix E)
	Restriction of the baffle air slots or – blockage of the exhaust outlet.	Remove baffles to ensure that all air slots, and the exhaust outlet are unobstructed.
	External factors are disrupting the fume hood airflow patterns or acting as a source of contamination.	See “Location Requirements” Chapter 2, “Certifying the Hood” Chapter 3, and “Safety Precautions” Chapter 4 sections of this manual. (Ref. Appendix E)
	Fume hood has improper face velocity.	Have fume hood re-certified and check remote blower exhaust system. Hood should have average face velocity of 60-100 fpm.
Vertical sash no longer operates smoothly	Cable is frayed or plastic protection is damaged.	Inspect cable and replace cable if worn or damaged immediately; otherwise injury could result.
	Pulley bearing is damaged.	Replace pulley, bearing or add grease.
	Cable or chain has slipped off the pulleys or sprockets.	Re-install, cable or chain must be replaced immediately if damaged.
	Weight has broken pulleys or sprockets.	Replace pulleys or sprockets.
Combination A-Style sash no longer operates smoothly	Horizontal glass panels have come off the tracks.	Re-install horizontal glass on tracks.

PROBLEM	CAUSE	CORRECTIVE ACTION
	Vertical sash frame is distorted.	Place horizontal glass symmetrically and pull sash down to air foil. Straighten damaged frame.
	Cable is frayed or has slipped off the pulleys.	Re-install, cable must be replaced immediately if damaged.
Electrical duplex outlets no longer have power	Wires not connected or faulty duplex.	Check wire connection or replace duplex.
	Circuit breakers tripped in building electrical supply.	Reset circuit breakers.
Service valves no longer operate	Faulty building supply.	Inspect building supply shut off valves and appropriate pressures below the recommended 40 PSI.
	Valve no longer operates.	Replace valve and check for leaks.
	Supply line or outlet line has leaks.	Inspect line for leaks and fix any leaking plumbing connections.

APPENDIX A

PROTECTOR XL COMPONENTS

Illustration A-1 indicate the location of the following service parts:

Protector XL Replacement Parts

Item	Quantity	Part No.	Description
1A	1	9823700	Valve, Labconco (Water) 1/4" Compression Fitting
1B	1	9823701	Valve, Labconco (Water) 3/8" Compression Fitting
1C	1	9817000	Valve, Labconco 1/4" Compression Fitting (AIR, GAS, VAC, NIT, etc.)
1D	1	9817001	Valve, Labconco 3/8" Compression Fitting (AIR, GAS, VAC, NIT, etc.)
1E	1	9823702	Valve, Labconco Deionized 1/4" Compression Fitting
1F	1	9823703	Valve, Labconco Deionized 3/8" Compression Fitting
1G	1	9818000	Nut, Valve Mounting. (Labconco)
2A	1	9826800	WaterSaver Valve/Gooseneck – GRN
2B	1	9826801	WaterSaver Valve/Connector (VAC) – YEL
2C	1	9826802	WaterSaver Valve/Connector (AIR) – ORG
2D	1	9826803	WaterSaver Valve/Connector (GAS) – BLU
2E	1	9826805	WaterSaver Valve/Connector (HOT WATER) – RED
2F	1	9826806	WaterSaver Valve/Connector (CW) – GRN
2G	1	9826807	WaterSaver Valve/Connector (STEAM) – BLK
2H	1	9826808	WaterSaver Valve/Connector (NITROGEN) – BRN
2I	1	9826809	WaterSaver Valve/Connector (OXYGEN) – LIGHT GREEN
2J	1	9826810	Swivel Gooseneck only – GRN
2K	1	9826812	Swivel Gooseneck only – WHITE
3	1	9818700 thru 08	Knobs (GRAY, GRN, BLU, ORG, YEL, RED, WHT, BLK, BRN)
4A	1	9818800	Hose Barb, GRAY (NEUTRAL OR ARGON) – NOT SHOWN
4B	1	9818801	Hose Barb, GREEN (COLD WATER) – NOT SHOWN
4C	1	9818802	Hose Barb, BLUE (GAS) – NOT SHOWN
4D	1	9818803	Hose Barb, ORANGE (AIR) – NOT SHOWN
4E	1	9818804	Hose Barb, YELLOW (VACUUM) – NOT SHOWN
4F	1	9818805	Hose Barb, RED (HOT WATER) – NOT SHOWN
4G	1	9818806	Hose Barb, WHITE (DEIONIZED WATER) – NOT SHOWN
4H	1	9818807	Hose Barb, BLACK (NEUTRAL OR STEAM) – NOT SHOWN
4I	1	9818808	Hose Barb, BROWN (NITROGEN) – NOT SHOWN
4J	1	9819000	Nut, Hose Barb – NOT SHOWN
5	1	9825500	Label, Knob (contains all the labels)
6	1	9818900	Lens, Knob
7A	1	9947100, 01, 02	115V Duplex Receptacle (GRAY) Right, Left 4' - 6', Left 8' w/ wires
7B	1	9818200	Cover Plate 115V Duplex
7C	1	9947103, 04, 05	115V GFCI Duplex Receptacle (GRAY) Right 4' - 6', Left 8' w/ wires
7D	1	9818100	Cover Plate, 115V GFCI
7E	1	9818300	Cover Plate, Blank
7F	1	9851203	115V Duplex Receptacle, Left 10' - 12' (GRAY)
7G	1	9851303	115V Duplex Receptacle, Left 16' (GRAY)
7H	1	9851603	115V GFCI Duplex Receptacle, Left 10' - 12' (GRAY)
7I	1	9851703	115V GFCI Duplex Receptacle, Left 16' (GRAY)

Appendix A: Protector XL Components

Item	Quantity	Part No.	Description
8A	1	1297503	LED, Direct Wired T8 x 3' – newest models use on 4', 8' & 16' Hoods – 12 watts each
8B	1	1297504	LED, Direct Wired T8 x 4' – newest models use on 5', 6', 7', 10' & 12' Hoods – 22 watts each
8C	1	1297502	LED, Direct Wired T8 x 2' – newest models use only on 3' Hoods
8D	1	9945300	LED Light Fixture, 36" – use on 4' Hoods
8E	1	9945301	LED Light Fixture, 48" – use on 5', 6' and 7' Hoods
8F	1	9945302	LED Light Fixture, 36" Combo – use on 8' Hoods
8G	1	9945303	LED Light Fixture, 24" – use on 3' Hoods
8H	1	9945100, 01, 02	LED Light Fixture, Combo, use on 10', 12' and 16' Hoods
10A	1	1302301	Switch, Rocker
10B	1	1327500	Switch, Plug (Fills cutout when switch is not used)
11	1	9818400	Access Cover
12A	1	9409800	Side Panel, 24" internal deep hoods
12B	1	9409801	Side Panel, 30" internal deep hoods
12C	1	9409802	Side Panel, 36" internal deep hoods
12D	4	1885308	Screw, Machine #10-24 x .50 Phillips
13A	1	9436500	Eco-Foil 3'
13B	1	9436501	Eco-Foil 4'
13C	1	9436502	Eco-Foil 5'
13D	1	9436503	Eco-Foil 6'
13E	1	9436504	Eco-Foil 7'
13F	1	9436505	Eco-Foil 8'
13G	1	9474300, 01, 02, 03, 04, 05	Eco-Foil 10' R, 10' L, 12' R, 12' L, 16' R, and 16' L
13H	1	9436520	PVC Eco-Foil, 3'
13I	1	9436521	PVC Eco-Foil, 4'
13J	1	9436522	PVC Eco-Foil, 5'
13K	1	9436523	PVC Eco-Foil, 6'
13L	1	9436524	PVC Eco-Foil, 7'
13M	1	9436525	PVC Eco-Foil, 8'
14	4	1850000	Pulley, Front, 2" Dia. Nylon
15A	2	4949902	Cable, Sash 130" – NOT SHOWN
15B	2	9414010	Cable Replacement Kit 24" Interior
15C	2	9414011	Cable Replacement Kit 30" Interior
15D	2	9414012	Cable Replacement Kit 36" Interior
15E	1	9545800	Weight Support Bracket Kit
16	2	9709300	Plastic Pulley, (Rear 2")
17	2	9713300	Bumper, Rubber (lower sash bumper) – NOT SHOWN
18	4	1934100	Bronze Bearing, Flanged Rear – NOT SHOWN
19	4	1920100	Clamp, Cable Replacement – NOT SHOWN
20	2	9935800	Threaded Connector (to attach weight to cable) – NOT SHOWN
21	1	9946300 or 01	Wiring Harness, Main
22A	1	9409600, 01, 02, 03, 04, 05	Front Panel, 3', 4', 5', 6', 7', 8'
22B	1	9499500, 01, 02, 03, 04, 05	Front Panel, 10' L, 10' R, 12' L, 12' R, 16' L, and 16' R

Appendix A: Protector XL Components

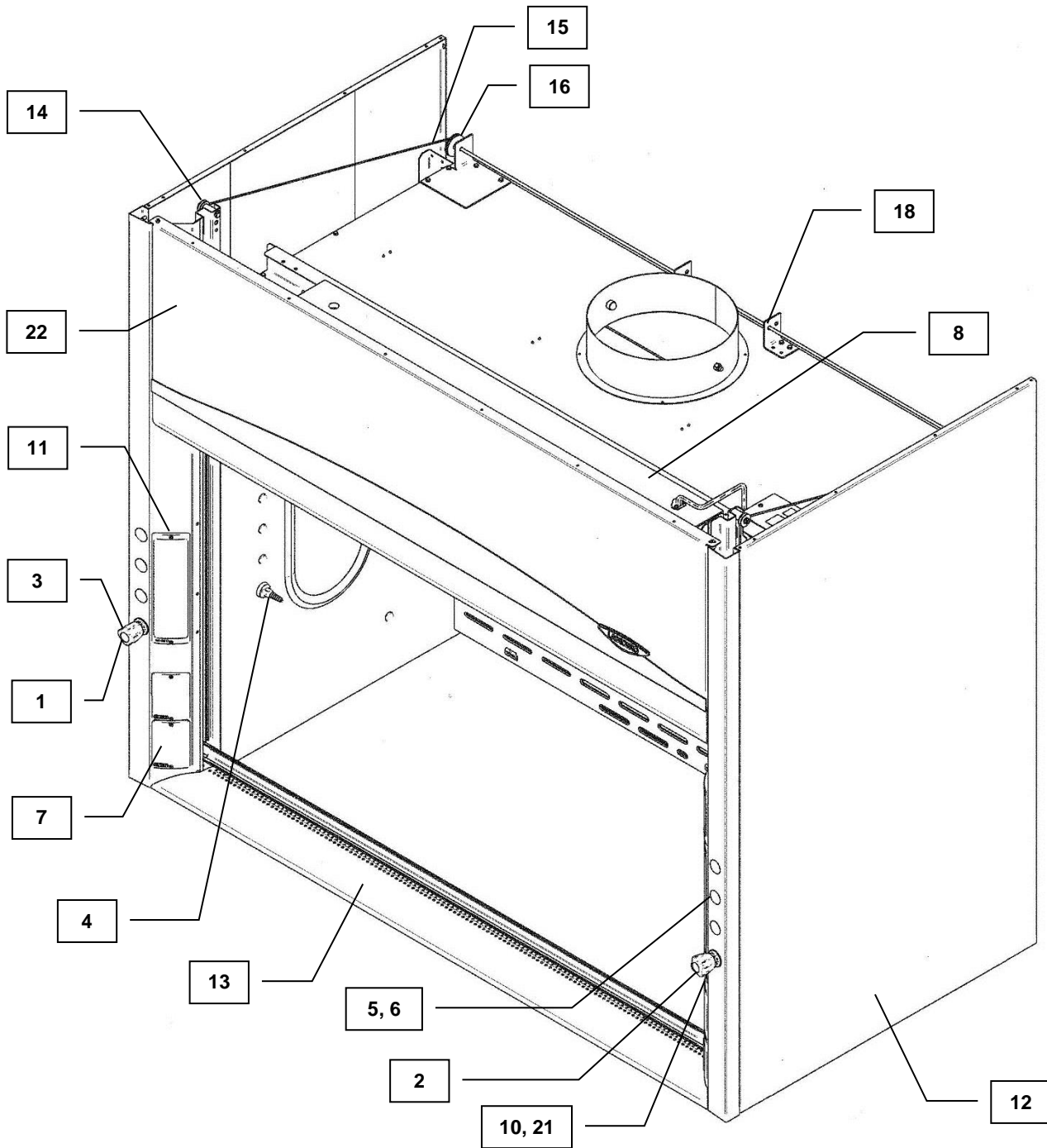


Figure A-1

APPENDIX B

PROTECTOR XL DIMENSIONS

XL Model Widths

	4'	5'	6'	8'	10'	12'	16'
A	48.00	60.00	72.00	96.00	120.00	144.00	192.00
External Depth							
B	31.7, 37.7, or 43.7						
C	38.25	50.25	62.25	86.25	110.25	134.25	182.24
Internal Depth							
D	24.00, 30.00, or 36.00						
Filler Panel							
E	8.00, 14.00, or 20.00						
Duct Spacing	C/L One Duct	C/L One Duct	C/L One Duct	48.00 Two Ducts	50.00 Two Ducts	62.00 Two Ducts	48.00 Four Ducts

NOTE: See Chapter 3 for Dimension E.

Hood Size	DIM "A"	DIM "B"	DIM "C"	DIM "D"
3ft	36.00	24" Depth	26.25	24
		30" Depth		30
		36" Depth		36
4ft	48.00	24" Depth	38.25	24
		30" Depth		30
		36" Depth		36
5ft	60.00	24" Depth	50.25	24
		30" Depth		30
		36" Depth		36
6ft	72.00	24" Depth	62.25	24
		30" Depth		30
		36" Depth		36
7ft	84.00	24" Depth	74.25	24
		30" Depth		30
		36" Depth		36
8ft	96.00	24" Depth	86.25	24
		30" Depth		30
		36" Depth		36

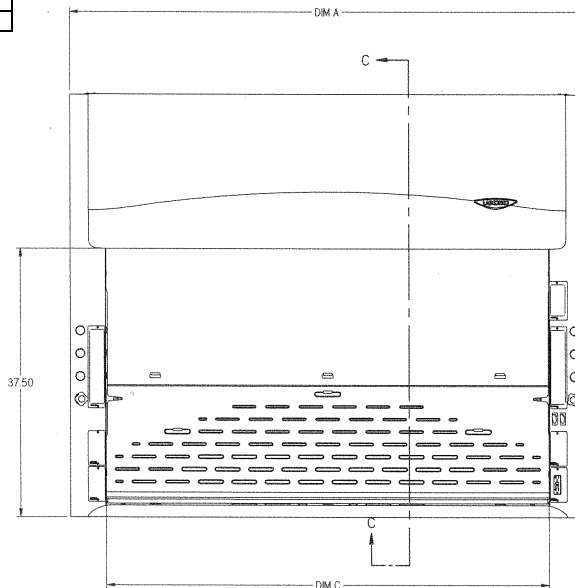
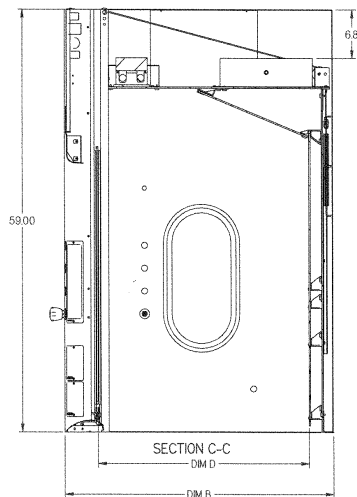
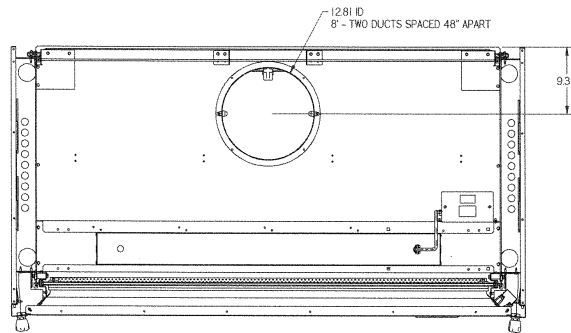


Figure B-1

APPENDIX C

PROTECTOR XL

SPECIFICATIONS

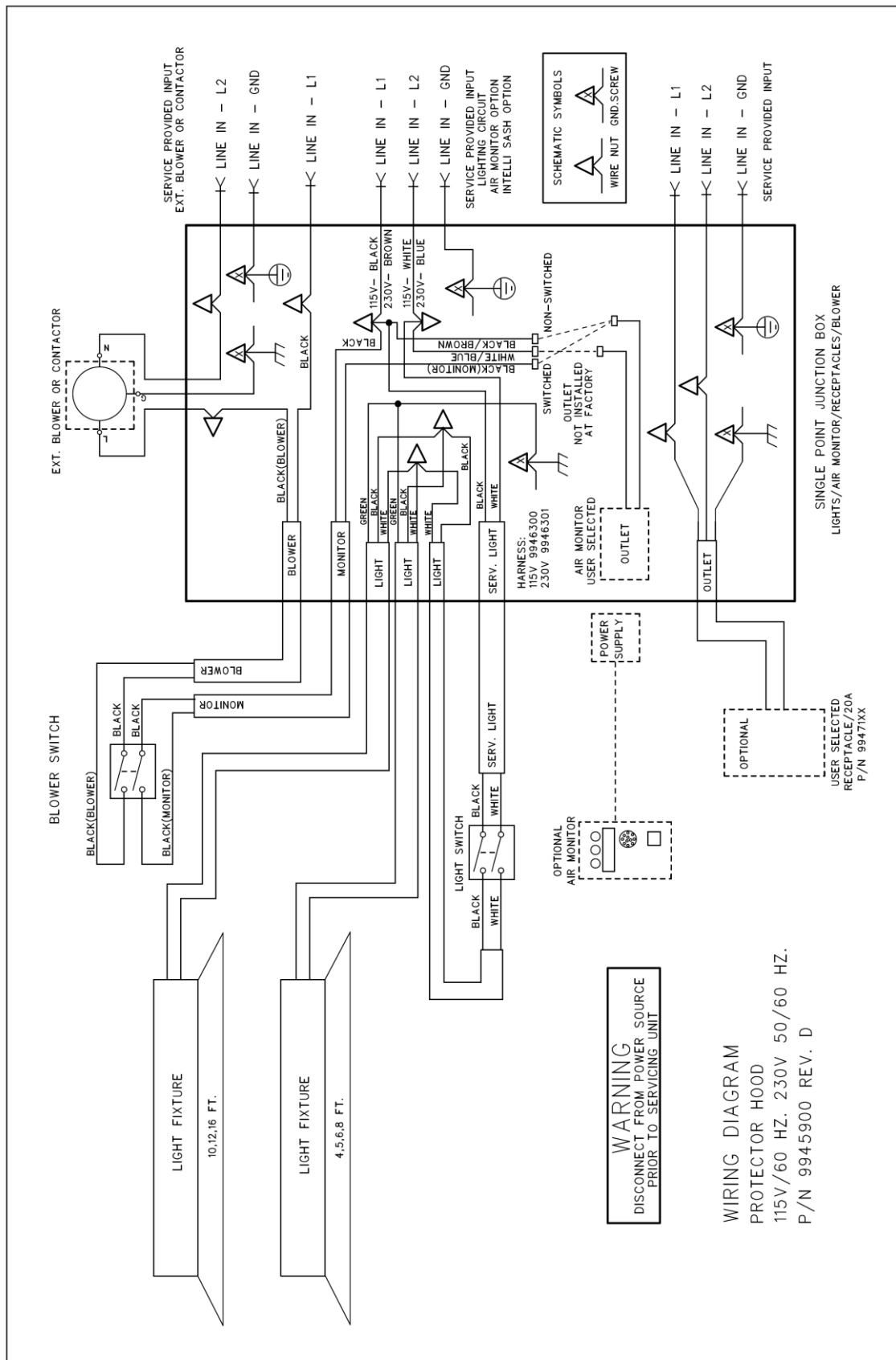
Environmental Conditions

- Indoor use only.
- Maximum altitude: 10,000 feet (3,048 meters).
- Ambient temperature range: 41° to 104°F (5° to 40°C).
- Maximum relative humidity: 80% for temperatures up to 88°F (31°C), decreasing linearly to 50% relative humidity at 104°F (40°C).
- Main supply voltage fluctuations not to exceed $\pm 10\%$ of the nominal voltage.
- Transient over-voltages according to Installation Categories II (Over-voltage Categories per IEC 1010). Temporary voltage spikes on the AC input line that may be as high as 1500V for 115V models and 2500V for 230V models are allowed.
- Used in an environment of Pollution degrees 2 (i.e., where normally only non-conductive atmospheres are present). Occasionally, however, a temporary conductivity caused by condensation must be expected, in accordance with IEC 664.
- Electrical Ratings

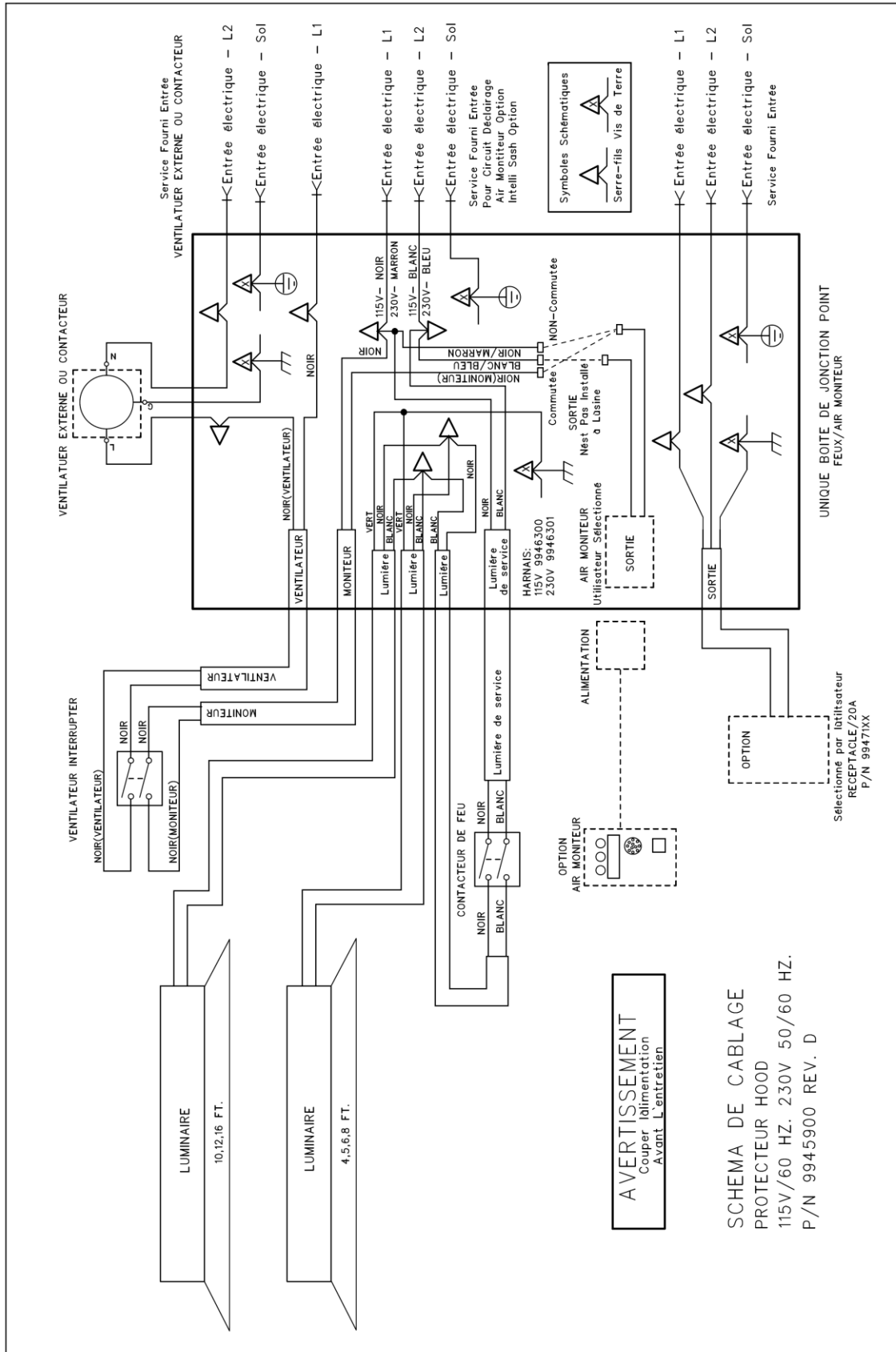
<u>Volts AC</u>	<u>Phase</u>	<u>Cycle</u>	<u>AMP*</u>
115	1	50/60	10
115	1	50	10
115	1	60	10
230	1	50/60	5
230	1	50	5
230	1	60	5

*Does not include current rating of receptacles.

Appendix C: Protector XL Specifications



Appendix C: Protector XL Specifications



APPENDIX D

PROTECTOR I-S HOOD

Labconco offers Protector[®] I-S[™] Fume Hood models installed with limit switches for automatic Intelli-Sense Blower operation that change 3 speeds automatically based off the sash position. The Intelli-Sense Blower low speed runs with the rising sash from 0"-3", with the medium speed sash from 4"-19" and the high speed sash from 20"-28"; the medium and high speed sash height positions can be altered by 1" increments in the field between 15" and 20". The limit switches are installed and wired per the automatic operation wiring diagrams in Appendix C. The limit switches replace the manually operated 3-position switch. A Digital Airflow Monitor on the Protector I-S Hood constantly monitors face velocity at all speeds and sash positions to ensure proper hood operation. Note: The integrated Protector I-S Hoods with limit switches are only available from the factory due to the wiring complexity.

The integrated Protector I-S Hood models with limit switches automatically regulate the Intelli-Sense Blower, but independent of any room controls. Room controls such as room pressurization controls depicted in Appendix E are sold separately and are not sold by Labconco. The Protector I-S Hood is primarily used for small hood projects when the number of fume hoods cannot justify a complete variable airflow volume system or VAV. The Protector I-S Hood alters the (RPM) speed of the electronically commutated motor (ECM) blower wheel automatically with the sash position to change speeds. Some VAV systems can degrade and usually have annual service issues, but the Protector I-S Hood with Intelli-Sense Blower is reliable with little maintenance as it has no belts, valves or sophisticated controls systems. The reliable Intelli-Sense Blower has a rated bearing life of 50,000 hours (6 years) at full speed and a test life of over 150,000 hours (over 17 years).

Appendix D: Protector I-S Hood

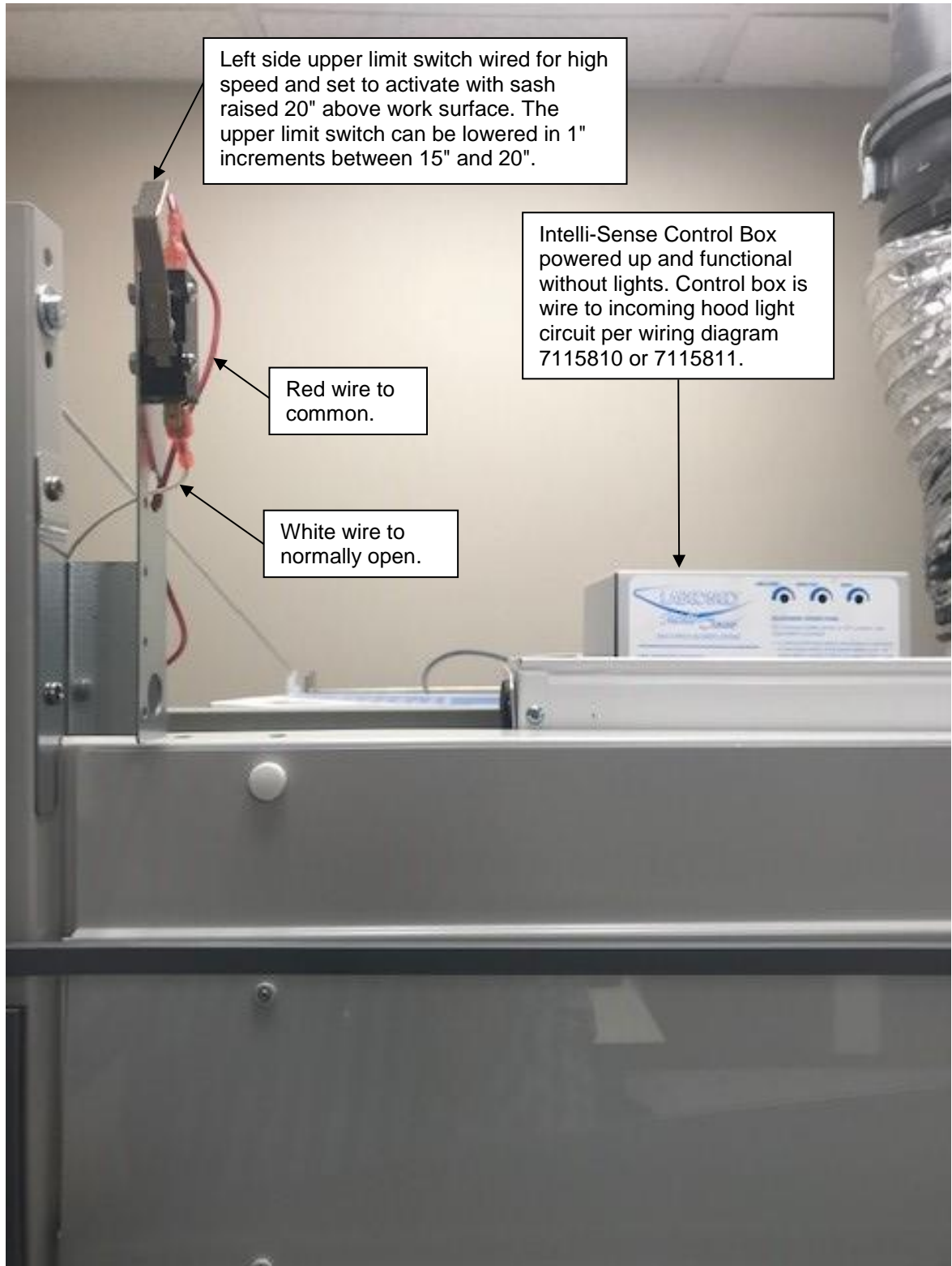
Please keep in mind that room controls such as room pressurization controls (Appendix E), duct sensors, or hood exhaust volume controls are not included. The variety of room controls MUST BE selected by the building controls engineering department. Note: Room controls are not sold by Labconco. In typical environments the room controls are set to a negative pressure with a range of -0.01" to -0.05" depending on the application.

The following summarizes the Protector I-S Hood installed with limit switches for automatic Intelli-Sense Blower operation.

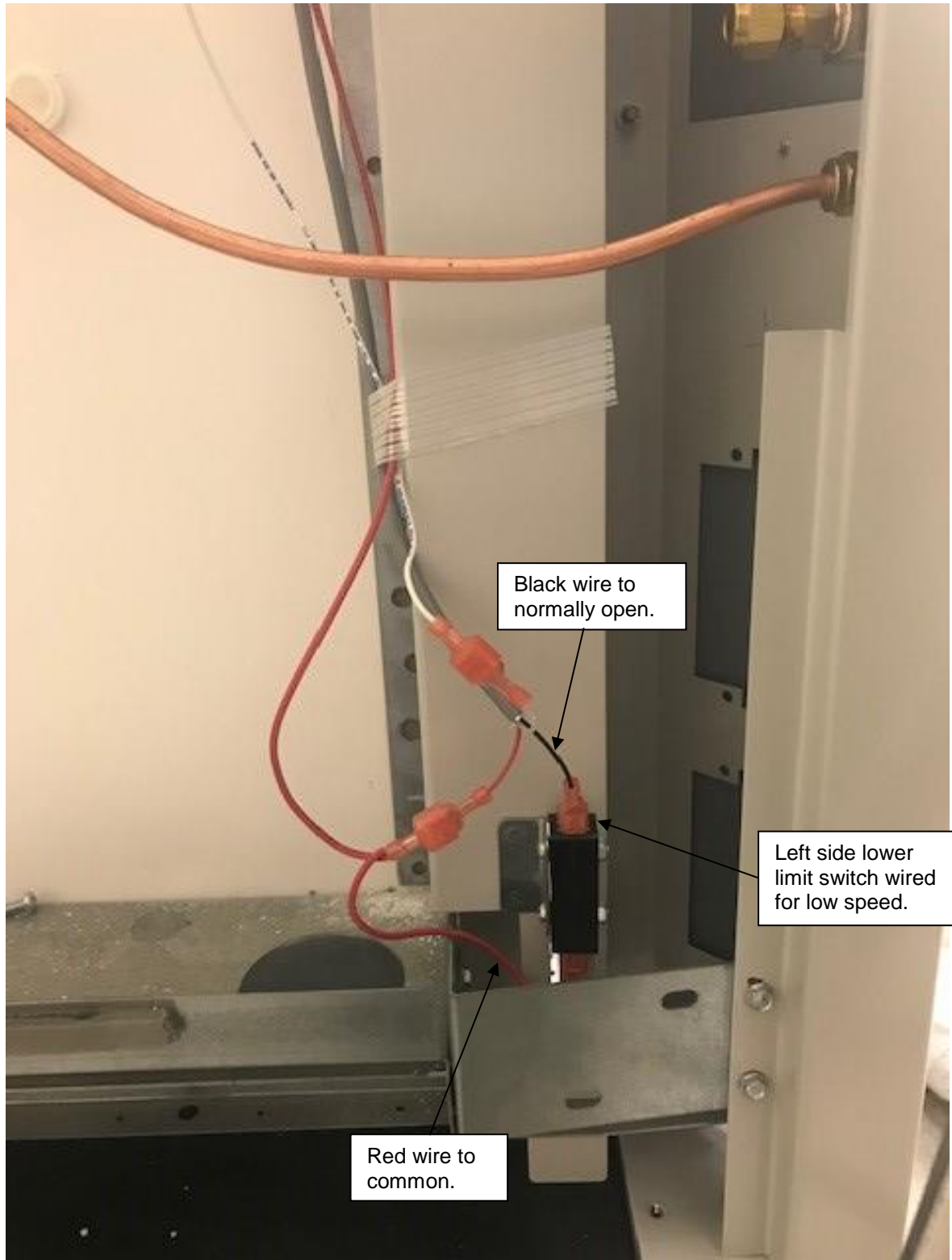
- **INTEGRATED** – Minimal set up, pre-mounted, multi-speed MSB controller, and pre-wired limit switches.
- **INDEPENDENT** – No conscious control as blower speeds change automatically with sash position and room controls work independently. Room controls are sold separate and not sold by Labconco.
- **INTELLIGENT** – The Integrated Intelli-Sense Hood becomes a Smart Hood that adjusts 3 speeds automatically based off sash position, has built-in over-ampereage adjustment to prevent overheating, provides simple blower sizing, and provides 3 easy speed adjustments (MIN, MED, MAX) based off MIN sash height of 0"-3", MED sash height of 4"-19", and MAX sash height of 20"-28"; the MED and MAX sash heights can be altered by 1" increments in the field between 15" and 20".

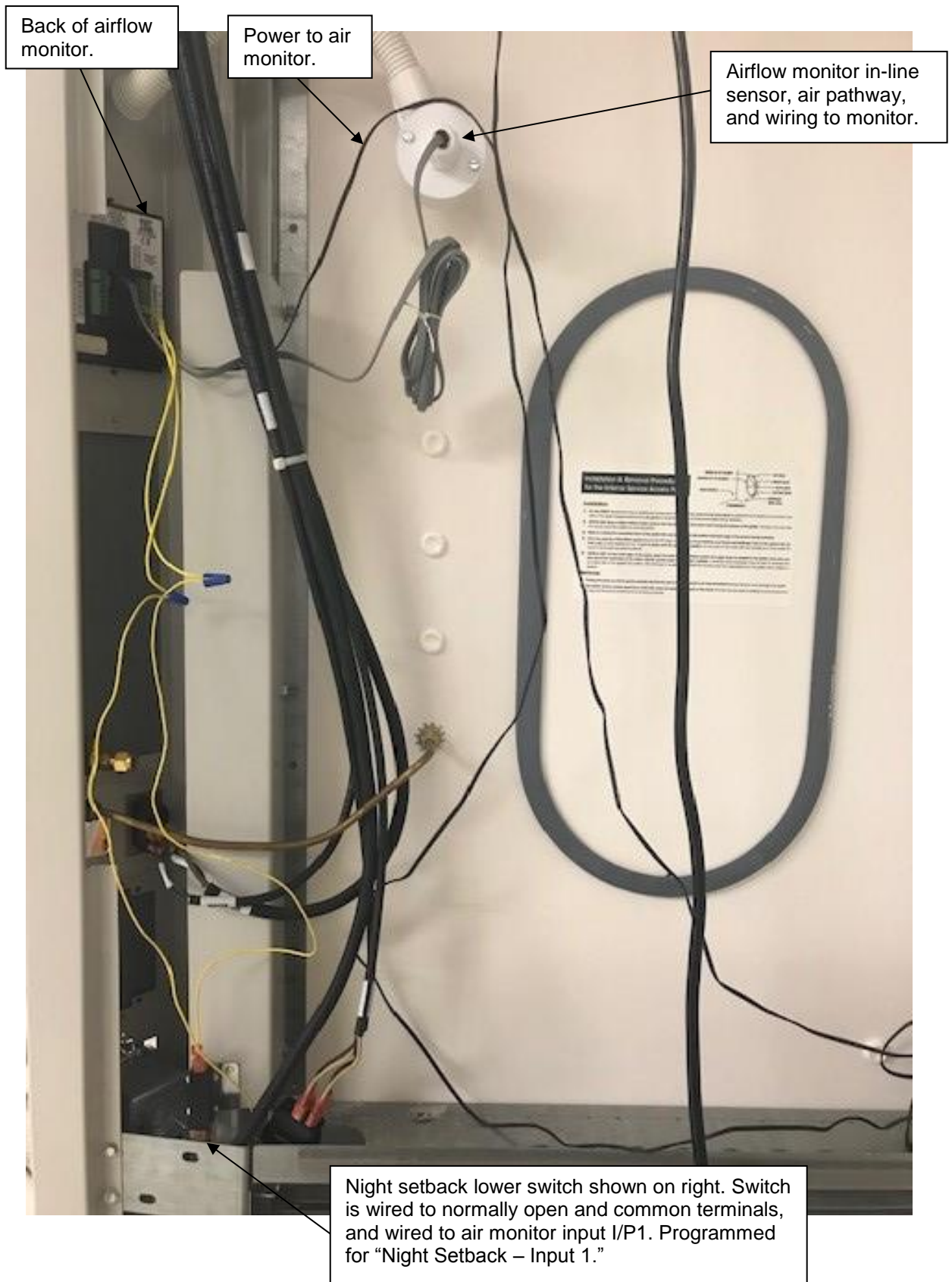
Protector I-S Service Parts Only

Item	Qty.	Part No.	Description – Protector I-S Unique Components
1A	1	7115010	MSB Control Box, 115V Automatic
1B	1	7115020	MSB Control Box, 230V Automatic
2	3	3832400	Limit Switch, Automatic Blower Operation
3	1	7117700	Accessory Cable, Airflow Monitor for Night Setback (when programmed)
4	1	7116000	Power Cable, Control Box Inlet Power (from hood lighting junction box)



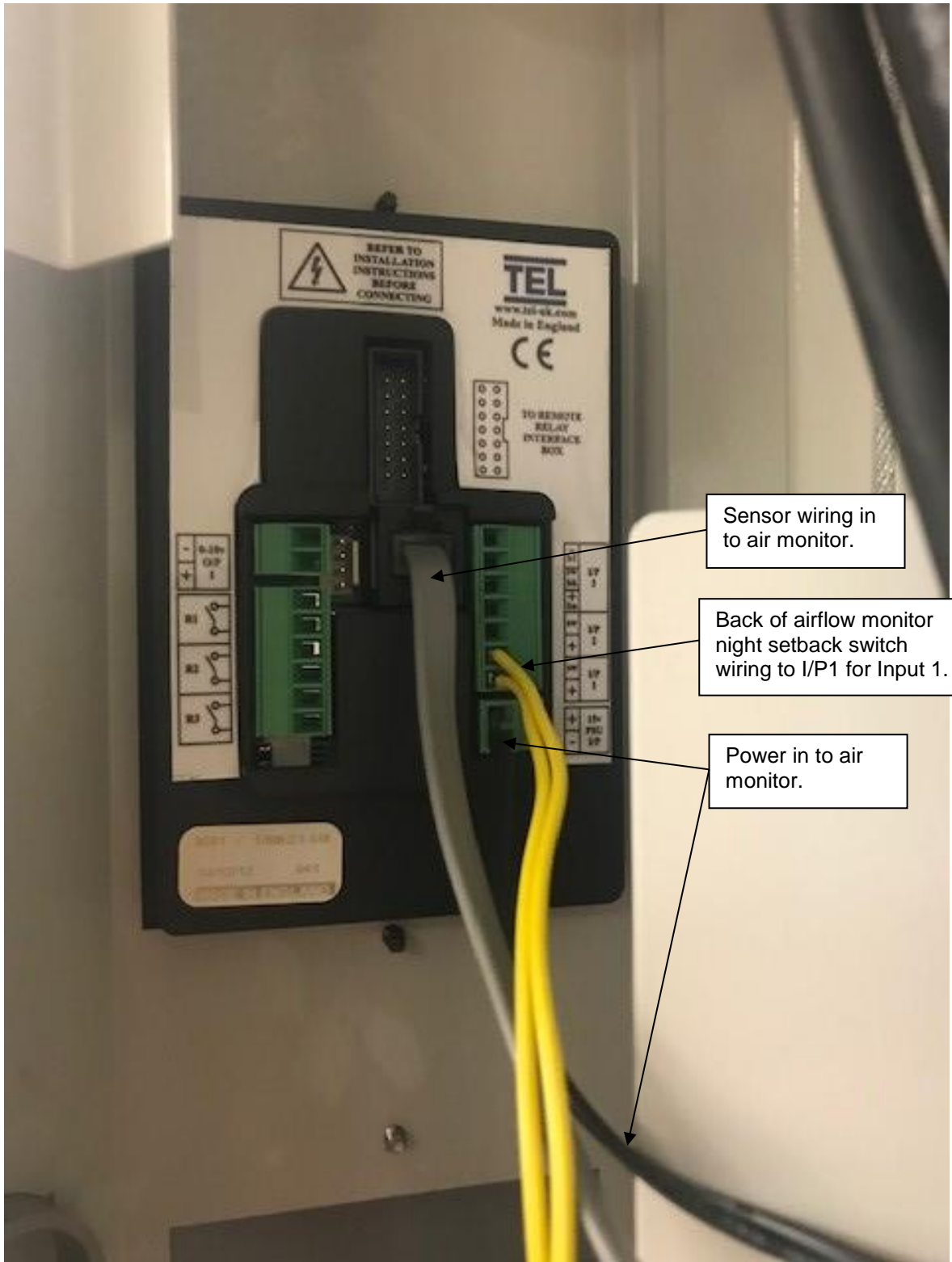
Appendix D: Protector I-S Hood





Appendix D: Protector I-S Hood





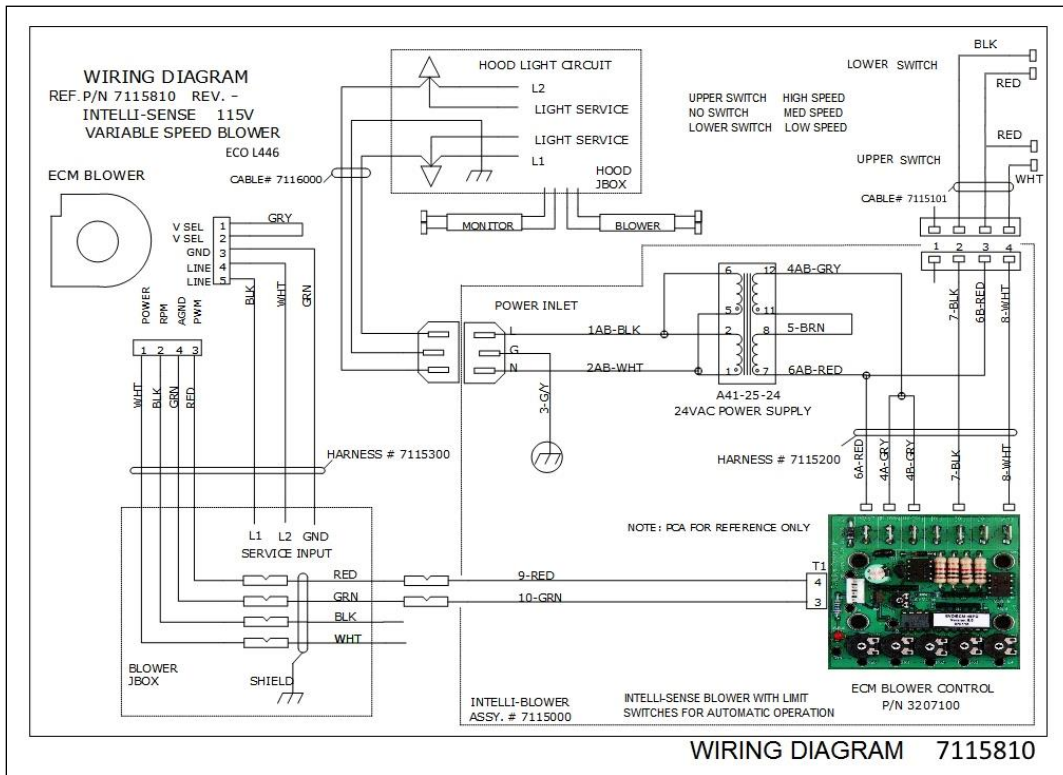
Sensor wiring in to air monitor.

Back of airflow monitor night setback switch wiring to I/P1 for Input 1.

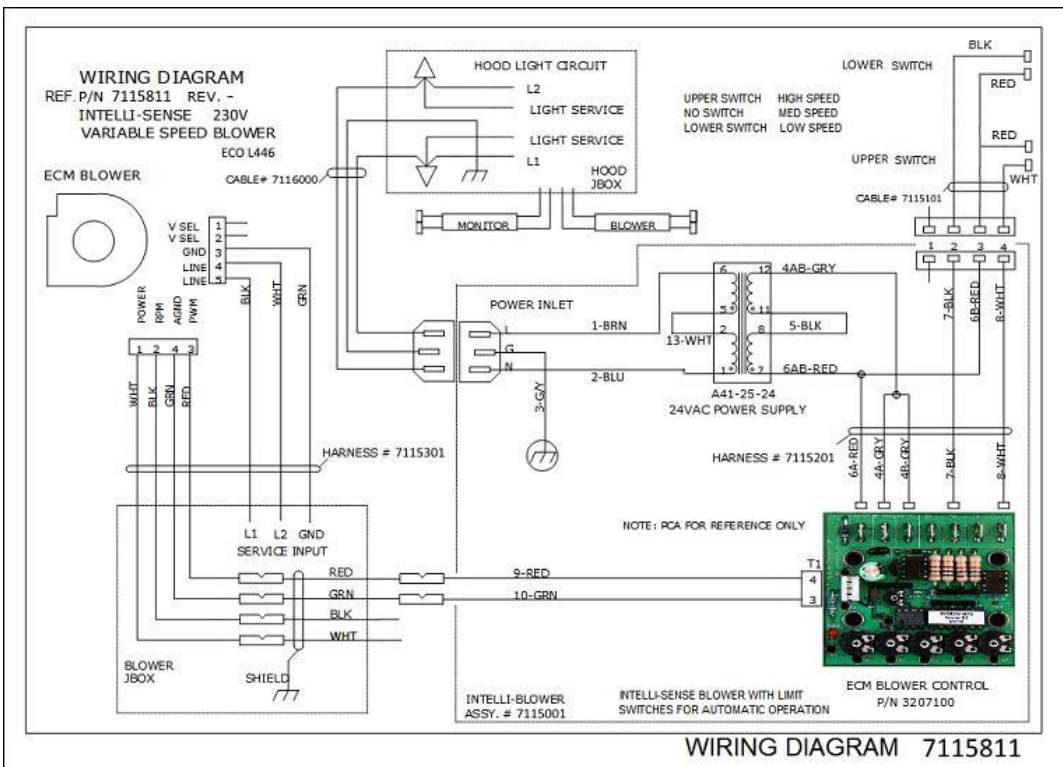
Power in to air monitor.

Appendix D: Protector I-S Hood

115V Wiring Diagram – Automatic Operation



230V Wiring Diagram – Automatic Operation



APPENDIX E


SERIAL NUMBER TAG

DESCRIPTION

Serial tag includes standard information with the following changes:

The portion of the tag for electrical information is labeled with the following units: Volts AC, Phase, Cycle, AMP.

Each hood will include one of the following:

<u>Volts AC</u>	<u>Phase</u>	<u>Cycle</u>	<u>AM</u>  <u>X</u>
115	1	50/60	10X
115	1	50	10X
115	1	60	10X
230	1	50/60	5X
230	1	50	5X
230	1	60	5X

Where  may be a separate label indicating: Caution, See Manual.

The X above will be one of several possible alpha characters as defined in the manual as follows:

- X: No additional duplexes on hood, noted amperage applies.
- B: This fume hood includes **one** additional electrical receptacle, individually wired to the field wired box and individually rated as 115V, single phase, 60Hz, 20 Amps. Each duplex can be wired on a dedicated circuit rated at 20A or the duplexes may be ganged together on the same circuit with the total load of the ganged duplexes not exceeding the 20A electrical service they are wired to.
- C: This fume hood includes **two** additional electrical receptacles, individually wired to the field wired box and individually rated as 115V, single phase, 60Hz, 20 Amps. Each duplex can be wired on a dedicated circuit rated at 20A or the duplexes may be ganged together on the same circuit with the total load of the ganged duplexes not exceeding the 20A electrical service they are wired to.

Appendix E: Serial Number Tag Description

- D: This fume hood includes **three** additional electrical receptacles, individually wired to the field wired box and individually rated as 115V, single phase, 60Hz, 20 Amps. Each duplex can be wired on a dedicated circuit rated at 20A or the duplexes may be ganged together on the same circuit with the total load of the ganged duplexes not exceeding the 20A electrical service they are wired to.
- E: This fume hood includes **four** additional electrical receptacles, individually wired to the field wired box and individually rated as 115V, single phase, 60Hz, 20 Amps. Each duplex can be wired on a dedicated circuit rated at 20A or the duplexes may be ganged together on the same circuit with the total load of the ganged duplexes not exceeding the 20A electrical service they are wired to.
- F: This fume hood includes **one** additional electrical receptacle, individually wired to the field wired box and individually rated as 230V, single phase, **60Hz**, 10 Amps. Each duplex can be wired on a dedicated circuit rated at 10A or the duplexes may be ganged together on the same circuit with the total load of the ganged duplexes not exceeding the 10A electrical service they are wired to.
- G: This fume hood includes **two** additional electrical receptacles, individually wired to the field wired box and individually rated as 230V, single phase, **60Hz**, 10 Amps. Each duplex can be wired on a dedicated circuit rated at 10A or the duplexes may be ganged together on the same circuit with the total load of the ganged duplexes not exceeding the 10A electrical service they are wired to.
- H: This fume hood includes **three** additional electrical receptacles, individually wired to the field wired box and individually rated as 230V, single phase, **60Hz**, 10 Amps. Each duplex can be wired on a dedicated circuit rated at 10A or the duplexes may be ganged together on the same circuit with the total load of the ganged duplexes not exceeding the 10A electrical service they are wired to.
- J: This fume hood includes **four** additional electrical receptacles, individually wired to the field wired box and individually rated as 230V, single phase, **60Hz**, 10 Amps. Each duplex can be wired on a dedicated circuit rated at 10A or the duplexes may be ganged together on the same circuit with the total load of the ganged duplexes not exceeding the 10A electrical service they are wired to.
- K: This fume hood includes **one** additional electrical receptacle, individually wired to the field wired box and individually rated as 230V, single phase, **50Hz**, 10 Amps. Each duplex can be wired on a dedicated circuit rated at 10A or the duplexes may be ganged together on the same circuit with the total load of the ganged duplexes not exceeding the 10A electrical service they are wired to.
- L: This fume hood includes **two** additional electrical receptacles, individually wired to the field wired box and individually rated as 230V, single phase, **50Hz**, 10 Amps. Each duplex can be wired on a dedicated circuit rated at 10A or the duplexes may be ganged together on the same circuit with the total load of the ganged duplexes not exceeding the 10A electrical service they are wired to.

- M: This fume hood includes **three** additional electrical receptacles, individually wired to the field wired box and individually rated as 230V, single phase, **50Hz**, 10 Amps. Each duplex can be wired on a dedicated circuit rated at 10A or the duplexes may be ganged together on the same circuit with the total load of the ganged duplexes not exceeding the 10A electrical service they are wired to.
- N: This fume hood includes **four** additional electrical receptacles, individually wired to the field wired box and individually rated as 230V, single phase, **50Hz**, 10 Amps. Each duplex can be wired on a dedicated circuit rated at 10A or the duplexes may be ganged together on the same circuit with the total load of the ganged duplexes not exceeding the 10A electrical service they are wired to.


ANNEXE E


DESCRIPTION DE SÉRIE TAG NUMBER

Étiquette de série comprend des informations standard avec les modifications suivantes:

La partie de l'étiquette d'information électrique est étiqueté avec les unités suivantes: Volts AC, phase, cycle, AMP.

Chaque hotte comprendra une des opérations suivantes:

<u>Volts AC</u>	<u>Phase</u>	<u>Cycle</u>	<u>AMP</u> 
115	1	50/60	10X
115	1	50	10X
115	1	60	10X
230	1	50/60	5X
230	1	50	5X
230	1	60	5X

Où  peut-être une étiquette distincte indiquant: Attention, consultez le manuel.

Le X ci-dessus sera l'un des plusieurs caractères alphabétiques possibles telles que définies dans le manuel comme suit:

- X: Pas de duplex supplémentaires sur le capot, noté ampérage s'applique.
- B: Cette hotte comprend un réceptacle électrique supplémentaire, individuellement raccordés aux boîtiers câblées individuellement et classé comme 115V, monophasé, 60 Hz, 20 ampères. Chaque duplex peut être branché sur un circuit dédié évalué à 20A ou les duplex peuvent être groupés ensemble sur le même circuit que la charge totale des duplex couplées ne dépassant pas le service électrique 20A ils sont câblés.
- C: Cette hotte comprend deux autres prises électriques, individuellement câblés à la boîte câblées individuellement et classé comme 115V, monophasé, 60 Hz, 20 A. Chaque duplex peut être branché sur un circuit dédié évalué à 20A ou les duplex peuvent être groupés ensemble sur le même circuit que la charge totale des duplex couplées ne dépassant pas le service électrique 20A ils sont câblés.
- D: Cette hotte comporte trois prises électriques supplémentaires, individuellement câblés à la boîte câblées individuellement et classé comme 115V, monophasé, 60 Hz, 20 A. Chaque duplex peut être branché sur un circuit dédié évalué à 20A ou les duplex peuvent être groupés ensemble sur le même circuit que la charge totale des duplex couplées ne dépassant pas le service électrique 20A ils sont câblés.

- E: Cette hotte comprend quatre autres prises électriques, individuellement câblés à la boîte câblées individuellement et classé comme 115V, monophasé, 60 Hz, 20 A. Chaque duplex peut être branché sur un circuit dédié évalué à 20A ou les duplex peuvent être groupés ensemble sur le même circuit que la charge totale des duplex couplées ne dépassant pas le service électrique 20A ils sont câblés.
- F: Cette hotte comprend un réceptacle électrique supplémentaire, individuellement raccordés aux boîtiers câblées individuellement et classé comme 230V, monophasé, 60 Hz, 10 ampères. Chaque duplex peut être branché sur un circuit dédié classé au 10A ou les duplex peuvent être groupés ensemble sur le même circuit que la charge totale des duplex couplées ne dépassant pas le service électrique 10A ils sont câblés.
- G: Cette hotte comprend deux autres prises électriques, individuellement câblés à la boîte câblées individuellement et classé comme 230V, monophasé, 60 Hz, 10 ampères. Chaque duplex peut être branché sur un circuit dédié classé au 10A ou les duplex peuvent être groupés ensemble sur le même circuit que la charge totale des duplex couplées ne dépassant pas le service électrique 10A ils sont câblés.
- H: Cette hotte comporte trois prises électriques supplémentaires, individuellement câblés à la boîte câblées individuellement et classé comme 230V, monophasé, 60 Hz, 10 ampères. Chaque duplex peut être branché sur un circuit dédié classé au 10A ou les duplex peuvent être groupés ensemble sur le même circuit que la charge totale des duplex couplées ne dépassant pas le service électrique 10A ils sont câblés.
- J: Cette hotte comprend quatre autres prises électriques, individuellement câblés à la boîte câblées individuellement et classé comme 230V, monophasé, 60 Hz, 10 ampères. Chaque duplex peut être branché sur un circuit dédié classé au 10A ou les duplex peuvent être groupés ensemble sur le même circuit que la charge totale des duplex couplées ne dépassant pas le service électrique 10A ils sont câblés.
- K: Cette hotte comprend un réceptacle électrique supplémentaire, individuellement raccordés aux boîtiers câblées individuellement et classé comme 230V, monophasé, 50 Hz, 10 ampères. Chaque duplex peut être branché sur un circuit dédié classé au 10A ou les duplex peuvent être groupés ensemble sur le même circuit que la charge totale des duplex couplées ne dépassant pas le service électrique 10A ils sont câblés.
- L: Cette hotte comprend deux autres prises électriques, individuellement câblés à la boîte câblées individuellement et classé comme 230V, monophasé, 50Hz, 10 ampères. Chaque duplex peut être branché sur un circuit dédié classé au 10A ou les duplex peuvent être groupés ensemble sur le même circuit que la charge totale des duplex couplées ne dépassant pas le service électrique 10A ils sont câblés.
- M: Cette hotte comporte trois prises électriques supplémentaires, individuellement câblés à la boîte câblées individuellement et classé

Appendix E: Serial Number Tag Description

comme 230V, monophasé, 50Hz, 10 ampères. Chaque duplex peut être branché sur un circuit dédié classé au 10A ou les duplex peuvent être groupés ensemble sur le même circuit que la charge totale des duplex couplées ne dépassant pas le service électrique 10A ils sont câblés.

- N: Cette hotte comprend quatre autres prises électriques, individuellement câblés à la boîte câblées individuellement et classé comme 230V, monophasé, 50Hz, 10 ampères. Chaque duplex peut être branché sur un circuit dédié classé au 10A ou les duplex peuvent être groupés ensemble sur le même circuit que la charge totale des duplex couplées ne dépassant pas le service électrique 10A ils sont câblés.

APPENDIX F

REFERENCES

Many excellent reference texts and booklets are currently available. The following is a brief listing:

Laboratory Ventilation Standards

Federal Register 29 CFR Part 1910

Non-mandatory recommendations from "Prudent Practices".

- Fume hoods should have a continuous monitoring device
- Face velocities should be between 60-100 linear feet per minute (lfpm)
- Average 2.5 linear feet of hood space per person

Occupational Health and Safety

U.S. Department of Labor

200 Constitution Avenue N.W.

Washington, DC 20210

(202) 523-1452

Industrial Ventilation-ACGIH

- Fume hood face velocities between 60-100 lfpm
- Maximum of 125 lfpm for radioisotope hoods
- Duct velocities of 1000-2000 fpm for vapors, gasses and smoke
- Stack discharge height 1.3-2.0 x building height
- Well designed fume hood containment loss, <0.10 ppm

Industrial Ventilation, A Manual of Recommended Practice.

24th Edition, 2001

American Conference of Governmental Industrial Hygienists

1330 Kemper Meadow drive

Cincinnati, OH 45240-1634

(513) 742-2020

ASHRAE 110-1995 Method of Testing Performance of Fume Hoods

Evaluates fume hood's containment characteristics

- Three part test: Smoke generation, Face velocity profile, Tracer gas release @ 4 liters per minute
- Rated As Manufactured (AM), As Installed (AI) and As Used (AU)

American Society of Heating, Refrigerating, and Air Conditioning Engineers

1791 Tullie Circle N.E.

Atlanta, GA 30329

(404) 636-8400

Appendix F: References

ANSI Z9.5-2011 Laboratory Standard

Covers entire laboratory ventilation system.

- New and remodeled hoods shall have a monitoring device
- Ductless hoods should only be used with non-hazardous materials

American Industrial Hygiene Association

2700 Prosperity Avenue, Suite 250

Fairfax, VA 22031

(703) 849-8888

SEFA 1-2002

- Fume hood face velocities based on toxicity levels of chemicals
 - Class A – 125 to 150 fpm
 - Class B – 80 to 100 fpm
 - Class C – 75 to 80 fpm
- Test method – face velocity profile and smoke generation

Scientific Equipment & Furniture Association

1028 Duchess Drive

McLean, VA 22102

(703) 538-6007

NFPA 45 – 2002 Fire Protection for Laboratories Using Chemicals

- Laboratory hoods should not be relied on for explosion protection
- Exhaust air from fume hoods should not be recirculated
- Services should be external to the hood
- Canopy hoods only for non-hazardous applications
- Materials of construction should have flame spread of 25 or less
- 80 to 120 fpm to prevent escape

NFPA 30 – 2000 Flammable and Combustible Liquids Code

- Approved cabinets may be metal or wood
- Vent location on cabinets are required
- Venting of cabinets not a requirement

National Fire Protection Association

1 Batterymarch Park

P.O. Box 9101

Quincy, MA 02269-9101

(800) 344-3555

General References

American Conference of Governmental Industrial Hygienists. *Industrial Ventilation, A Manual of Recommended Practice*, Cincinnati, OH

ASHRAE Standard Committee. *ASHRAE Standard* Atlanta: ASHRAE Publications Sales Department, 1995

British Standards Institution, *Laboratory Fume Cupboards*. Parts 1, 2 and 3, London: 1990

Department of Labor, Occupational Safety and Health Administration, *29 CFR Part 1910, Occupational Exposures to Hazardous Chemicals in Laboratories, Final Rule*. Vol. 55, No. 21. Washington D.C.:1990

DiBerardinis, L. et al. *Guides for Laboratory Design, Health and Safety Considerations*. Wiley & Sons, 1987

McDermott, Henry, *Handbook of Ventilation for Contaminant Control, 2nd Edition*. Butterworth Publishers, 1985.

Miller, Brinton M. et al. *Laboratory Safety: Principles and Practices*. American Society for Microbiology, Washington, D.C.: 1986

NIH Guidelines for the Laboratory Use of Chemical Carcinogens. NIH Publication No. 81-2385.

Rayburn, Stephen R. *The Foundation of Laboratory Safety, A Guide for the Biomedical Laboratory*. Springer-Verlag, New York: 1990

Sax, N. Irving and Lewis, JR., Richard J. *Rapid Guide to Hazardous Chemicals in the Workplace*. Van Nostrand Reinhold, 1987.

Schilt, Alfred A. *Perchloric Acid and Perchlorates*. The G. Frederick Smith Chemical Company, Columbus, OH: 1979.

Steere, Norman. *CRC Handbook of Laboratory Safety, 2nd Edition*. CRC Press, 1971.

APPENDIX G

DISASSEMBLY AND REASSEMBLY INSTRUCTIONS

Required Tools

The following tools will be required for disassembly and reassembly:

Cordless Drills and Phillips bits.

1/4", 5/16", 3/8", 7/16" Sockets	Small Screwdriver
Phillips Screwdriver	Right Angle Screwdriver
1/4", 5/16" Box Ratchet	1/4" Extension
5/16", 3/8", 7/16" Combination Wrench	1/4" Ratchet
Small Right Angle Needle Nose Pliers	Nut Driver Set

Decorative Panel Removal

1. Remove side panels by removing #10-24 screws and lifting away.
2. Remove front panels by lifting up and away.

Light Removal and Blower Wiring

1. On the top of the hood, disconnect the Molex connector and remove the green ground wire. All the removable wires are part of the wiring harness to the corner post switches. Be sure to label all wires and refer to the wiring diagrams for proper reassembly.

Header Removal

1. The header is fastened to the corner posts by four #12 screws. Simply reach behind the corner posts from the side and remove the screws while another person supports the header.

Sash Removal

There is one sash to be removed on the 4', 5', and 6' hoods. Please note that there are two sashes that need to be removed for the 8', 10', and 12' hoods and four sashes on the 16' hood. Please repeat the procedure for each sash.

1. For 8' through 16', remove the bumper from the middle sash slide by removing the screw. Be careful not to misplace the loose parts. This part is a crucial component to the operation of the sash.
2. For 8' through 16', remove the middle sash slide assemblies by sliding them up and out.
3. Remove the sash end stops by removing the hardware.
4. Remove end cable and pulleys from sides.
5. Now the glass sash assembly can be removed by sliding it up and out.
6. Remove sash weights. The weights were shipped attached to the back.

Top Assembly Removal

Please note that the 4' through 8' hoods are designed with one continuous top liner. Therefore, the top support is not required for the 4' through 8' hoods, but is used on the 10', 12', and 16' hoods.

1. Remove the top support by removing the 1/4 –20 hardware and screws.
2. Remove the anti-rack shaft assemblies by removing the screws.
3. Then remove the top liner assemblies by removing the screws.

Front Truss Removal (if applicable on larger hoods 8' and up)

1. Remove the front truss support from the side frames by removing the 1/4 –20 x 1.5" hex head screws, washers, lockwashers, and nuts. Simply reach behind the side frames while somebody supports the front truss and remove it.

Airfoil Removal

1. Remove lower corner post screw located under the airfoil.
2. Remove the airfoil by removing the rear screws located on top of the airfoil on each side.

Rear Frame Removal

1. Remove the rear frames from the side frames by removing screws from each side frame.
2. If desired, you can remove the right rear frame from the left rear frame by removing the 1/4-20 hardware, angle support, and screws. This step is not always necessary and depends on the installation and size of the hoods.

Appendix G: Disassembly and Reassembly Instructions

Transport and Reassembly

The various subassemblies are now ready to be transported and reassembled in the opposite way the hood was disassembled. All hoods will require a minimum of five people to lift the hood, two people on each side and one in front (for balance only). A hydraulic lift table should be used as an aid in lifting. The 16' hood should be assembled where placed. If in doubt about lifting the hood, always reassemble the hood where it will be placed.

Reinstallation

Make sure the anti-rack shaft does not slide from left to right as this will be noisy and not work effectively.

Sash Weight Reassembly

After the hood is assembled, the sash weights are easily installed before the hood is placed against a rear wall. **Please keep this in mind and install the sash weights now.**

Baffles Installation

Install the upper baffle, middle baffle, and lower baffle. Be sure the baffles are resting in the proper baffle mount supports.

Hood Replacement and Service Installation

The hood is now ready for placement and the HVAC, plumbing and electrical service can be installed.