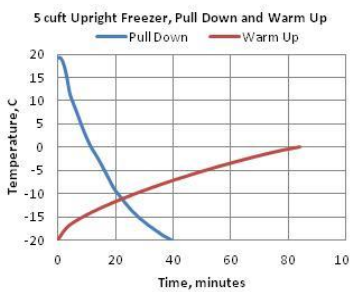
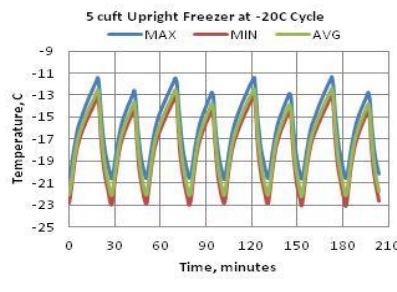
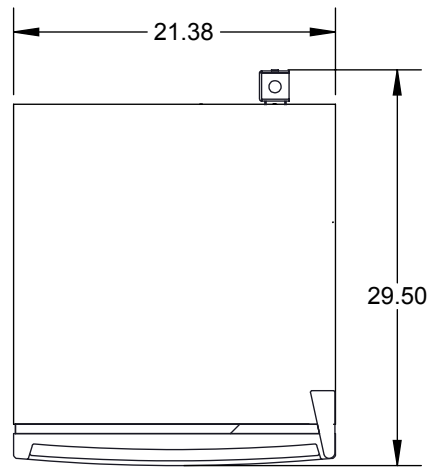


## Technical Data Sheet Thermo Scientific 5.0 Cuft FMS Freezer

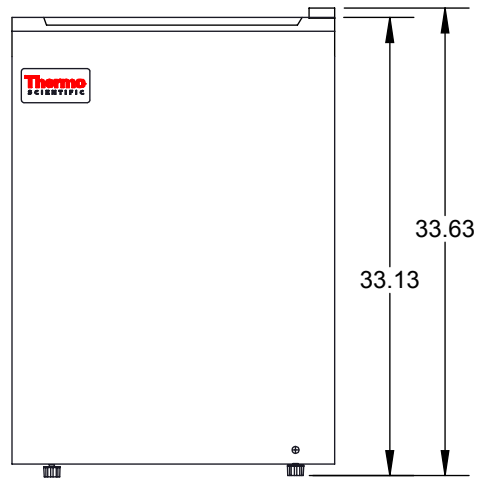
Revision-1

Thermo Fisher Scientific, Asheville, North Carolina

Specifications	Catalog Number	
	05FFEETSA	
Specifications	Production Model Number	
	05FFEETSA	
Specifications	Application, Rating And Electrical Data	
Application	5.0 Cuft FMS Freezer	
Storage Volume	5.0 Cuft / 141.5 Liters	
Temperature Rating	-12°C to -24°C	
Instrument Rated Current	1.1A	
Building Supply Rating	115VAC ±10% Of Normal Rated Line	
Power Plug/Power Cord Length	Three prong NEMA 5-15P	
Agency Listings	cULus	
Indoor/Outdoor Usage	Indoor Use Only	
Application Environment	Non-Corrosive, Non-Flammable, Non-Explosive, Good Air Ventilation	
Ambient Operating Temperature	15° C - 32° C (60° F - 90° F)	
Specifications	Refrigeration Configuration	
Refrigeration System	Vapour Compression System	
Compressor / Number	Hermetic Compressor/1	
Condenser Type/Number	Foamed In Condenser	
Expansion Device	Capillary Tube	
Evaporator Type	Shelf Evaporator	
Defrost Method	Manual Defrost	
Refrigerant Charge/Flammability	R134A	
Specifications	Controller/Electrical System Configuration And Features	
Controller Level	Chest Level	
Power Switch	Not Present	
Controller Type	Mechanical Thermostat	
Setpoint Security / Programmable	No/ Yes	
Compressor Safe Guard	High Temp Cutout Switch / Overload Protector	
Control Sensor	Capillary Tube	
Remote Alarm Terminals	Not Present	
Power Failure Alarm	Not Present	
Data Logger / Chart Recorder	Not Present	
Specifications	Dimensions And Construction	
Interior Dimensions (H x W x D)	29.5" x 18.63" x 19" (74.9 x 47.32 x 48.2 cm)	
Exterior Dimensions (H x W x D)	33.13" x 21.38" x 29.5" (84.15 x 54.3 x 74.93 cm)	
Insulation	Polyurethane Foam	
Door Perimeter heater	Not Present	
Shelves / Capacity	(2) Fixed Shelves, (1) Bottom Tray, (3) Door Shelves	
All-Direction Casters	(2) Adjustable Feet In Front, (2) Fixed Pads In Rear	
Ship Weight	95lbs / 43.1 kg	
Access Port / Dia	Not Present	
Specifications	Typical Performance Characteristics	
		
		Test Unit Series Number or MSO Number: 19446-AA-T1 Cabinet Load: Unloaded Average Cabinet Temp at -20C Cycle (C): -17 Peak Variation from Setpoint (C): +8.7 / -3.1 Uniformity (C): 1.8 Stability (C): 9.8 1-min Door Opening Recovery to -20C (min): 12 Duty Cycle at -20C (%): 33 Cycle (on/off) rate at -20C (min): 8 / 17 Energy Consumption (kw-hr/day): 0.9 Heat Rejection Rate (btu/hr): 125 Pull Down Time (to -20C) (min): 40 Warm Up Time (-20C to 0C) (min): 84
1) Performance is nominal and individual units may vary. 2) Freezer performance will differ due to product amount, product size and operating conditions. 3) Continuous product enhancements may, without notice, result in amendments or omissions to this specification. Thermo Scientific cannot accept responsibility for damage, injury, loss or expenses resulting from misapplication of the information herein.		



TOP VIEW



FRONT VIEW

DO NOT USE FOR ENGINEERING PURPOSES.  
SUBJECT TO CHANGE WITHOUT NOTICE

**Thermo**  
SCIENTIFIC

5.0 Cu.Ft. FLAMMABLE STORAGE FREEZER